

Datasheet

Pendent Automatic Low Pressure Water Mist Nozzle

Model: OH-OS



Description

The VID Fire-Kill Low Pressure Watermist Nozzle Model OH-OS is an automatic, concealed low pressure water mist nozzle ideal for residential areas, offices, data processing areas, meeting rooms, hotels, museums, restaurant seating areas, institutions, schools and such applications. The different finishes and optional painted finishes makes the OH-OS blend in with almost every type of surface.

Installations and approvals

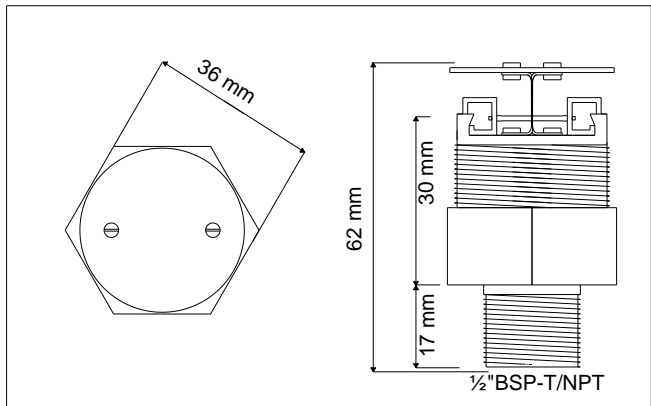
The OH-OS nozzle has been tested and approved to the FM5560 standard for light hazard occupancies. This means that the OH-OS can protect Light Hazards defined in NFPA13 and 750, and Ordinary Hazard 1 and 2 defined in EN 12845.

The OH-OS nozzles are to be installed using the OH-S36 nozzle spanner, as not to damage either nozzle or the surrounding ceiling. It should be installed into a clean pipe made of non-corrosive material. After being installed, the OH-R-T rosette is screwed on to the nozzle to conceal the installation hole in the ceiling occurred around the nozzle.

Compromised or otherwise suspected compromised nozzles are not to be installed, but returned to VID Fire-Kill for testing and refurbishing

Spray Pattern

See page 2 for a diagram illustrating the spray pattern of OH-OS.



General Stats	
Minimum water pressure	10.5 bar
Maximum working pressure	16 bar
K-factor (metric)	16.5 (l/t/√bar)
FM approved nominal release temperature	57°C
Other nominal release temperatures	68°C, 79°C, 93°C
Time Response Index (metric)	RTI < 50 Fast Response Class
Drop size	DV ₉₀ < 300 µm
Application	
Spacing (max)	16 m ² (4.0m x 4.0m)
Distance to wall (max)	2 m
Height (max)	5 m
Specific Stats	
Dimension	See fig. above
Weight	0.211 kg
Housing	Brass
Coating	NiSn
Strainer	Stainless Steel
Thread	1/2" BSP-T/NPT
Standard Finish	Chrome White RAL 9010
Other Finish	Other RAL colors
Hydraulic System	
Water density	3.3 mm/m ²
Minimum system operation time	60 min
Minimum design area	140 m ² (for areas <140m ² , area size should be used).
Related Products	
<u>Name</u>	<u>Model</u>
Alarm Valve	WAC
OH Rosette	OH-R-T
OH Pipe Spanner	OH-S36



Datasheet
Pendent Automatic Low Pressure Water Mist Nozzle
Model: OH-OS



Contact

For further information on OH-OS or similar nozzles, please contact our sales department at Sales@vidaps.dk

OH-OS Spray Pattern

