

# Datasheet

## Rosette for the OH-nozzle series

Model: OH-R-T



### Description

The OH-R is a series of rosettes designed to cover installation holes in ceilings and to make a fine finish between OH- type nozzles and the ceiling surface.

The rosette is made in stainless steel 316, and can be supplied in the raw material or in any RAL color.

### Design and Installation

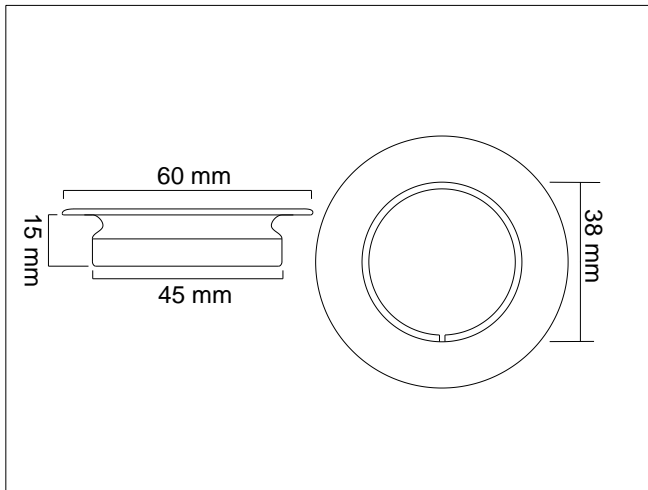
The VID Fire-Kill watermist nozzles and the ceiling should be fully installed, and the nozzle pipe system should be fully pressure leak tested prior to the installation of the OH-R rosettes.

The nozzles should be installed in the centre of a hole with the diameter of 46mm to 55mm in the suspended ceiling using the OH-S36 nozzle spanner. The nozzle should be installed in a position where the glassbulb is flush to the ceiling surface.

OH-R rosettes shall only be used together with VID Fire-Kill automatic watermist nozzles, which are fully installed in well supported suspended ceilings which will not sink.

### Contact

For further information on the model OH-R rosettes or similar products, please contact our sales department at [Sales@vidaps.dk](mailto:Sales@vidaps.dk)



Technical Data	
Dimensions	See fig. above. Outer Ø 60mm Inner Ø 35 mm
Materials	SS 316
Weight:	0,012 kg
Standard Finish	Stainless steel 316 White RAL 9010
Other Finish	Other RAL colors
Related Products	
<u>Name</u>	<u>Model</u>
OH- type nozzles	OH-

