

Datasheet

Installation Spanner for OH-nozzles.

Model: OH-S36



Description

The OH-S36 is a spanner created for the purpose of the correct installation of the OH-nozzles.

Design and installation

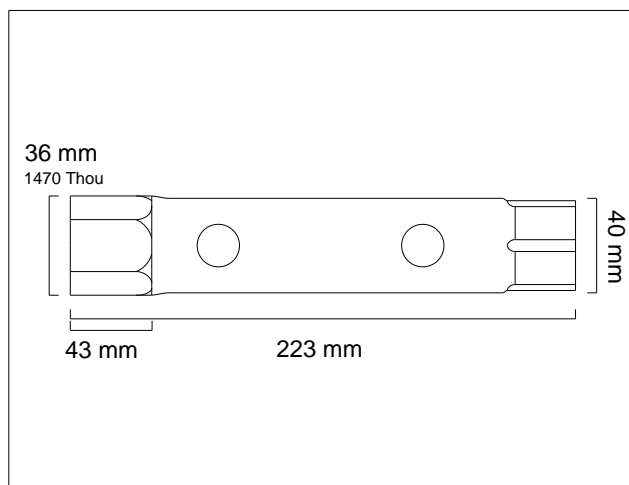
The OH-S36 is an installation tool for the OH-automatic nozzle series and should be used for nozzle installations in walls and ceilings.

Under installation an OH-nozzle should be placed into the larger end of the spanner, with the glassbulb pointing into the spanner and the thread of the nozzle pointing away from the spanner. The nozzle is then screwed into the pipe system until the engraved installation mark is flush with the ceiling or wall. The nozzle is now in the correct position and the installation hole can be hidden with an OH-R-T rosette.

The OH-S36 installation spanner has been fitted with an installation groove, which gives an indication of how far into the ceiling or wall the nozzle should be installed.

Contact

For further information on OH-S36 Installation Spanner or related products, please contact our sales department at Sales@vidaps.dk



Overall Technical Data

Dimensions	See fig. above.
Materials	DIN 2391/ C35 Chrome Plate
Weight	0,535 kg
Dimensions	215 mm x 36 mm.

