

# Datasheet

## Anti False Alarm Unit

Model: AFA



### Application

VID Fire-Kill Model AFA Anti False Alarm Units are installed in sprinkler and water mist installations.

The Anti False Alarm Unit prevents false systems alarms due to pressure surges, temperature changes and air in nozzle pipes

### Brief Description

The Model AFA Anti False Alarm Unit connects the inductive alarm sensor (PNP or NPN) of the system alarm valve or flow sensor to the inductive sensor inlet of the alarm panel.

The Model AFA Anti False Alarm Unit sorts automatically out the alarm signals from the inductive alarm sensor. The Anti False Alarm Unit does only pass the alarm signals from continues water flows through the alarm valve or flow sensor to the alarm panel.

The Model AFA Anti False Alarm Unit allows the whole alarm circuit including the inductive alarm sensor to be fully monitored.

The Model AFA Anti False Alarm Unit is available in two versions:

Model AFA-1: Box Unit Model for installation in the vicinity of the Alarm Valve or flow Alarm Sensor.

Model AFA-2: Print Unit Model for installation in alarm panels.

### Installation of Model AFA-1 Box:

The Model AFA-1 Box should be installed in the vicinity of the alarm valve or flow sensor, in a distance from the alarm valve or flow sensor, which does not exceeding the length of the wiring attached to the inductive transducer.

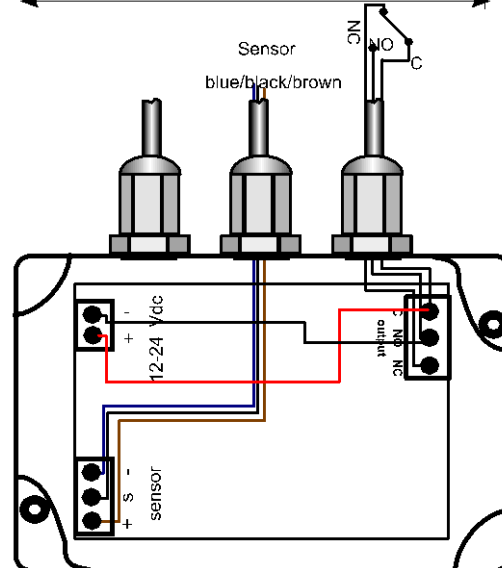
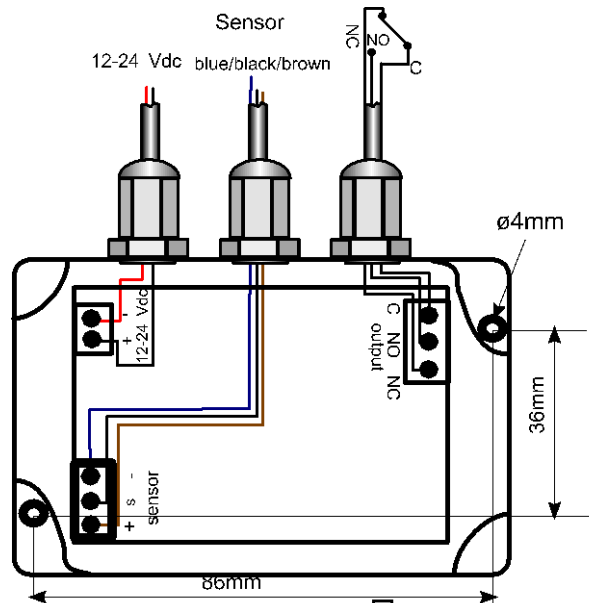
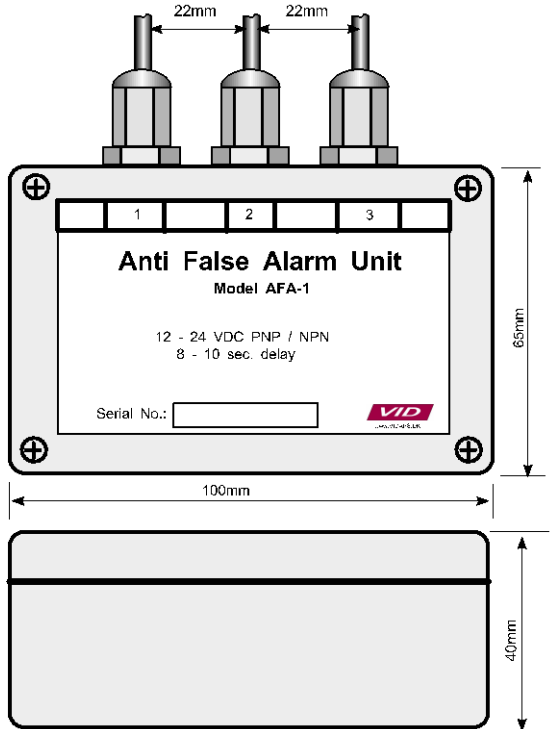


General Stats	
Inductive Switch Type	PNP/NPN
Power supply	12-24 VDC
Maximum False Alarm Signal	8 sec
Alarm Delay	10 sec
Wiring	Ø 5mm – 7mm
Box Specifications	
IP	64
Material	Plastic
Dimensions	100 mm x 64 mm x 40 mm
Related Products	
Name	Model
Alarm Valve	Model WAC

**Datasheet**  
**Anti False Alarm Unit**  
 Model: AFA



**Design**



**Caution**

The AFA Anti False Alarm Unit consists of fragile components and should be handled with care as not to compromise any of the components.

Dropped or otherwise damaged nozzles should not be installed.

**Contact**

For further information on the AFA Anti False Alarm Unit or similar products, please contact our sales department at [Sales@vidaps.dk](mailto:Sales@vidaps.dk)

