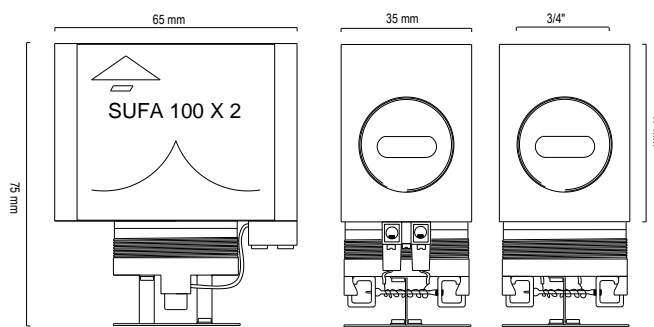
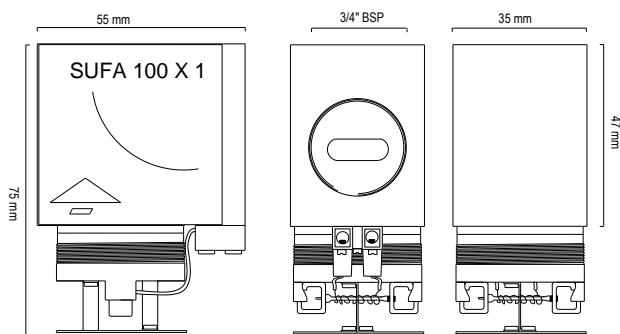


# Datasheet Control Valves

Model: SUFA 100x1 & SUFA 100x2.



## Description

The VID Fire-Kill SUFA Control Valves are a series of small robust, easy to install, one shot valves for control of water access to one or multiple low pressure water mist fire suppression nozzles. The valves have a fast response feature which reacts to the heat of fire and can also be hooked up to electrical circuits for electrical release.

## Applications

The SUFA Control Valves have been designed to provide fire protection of localized areas on – shore, maritime and off-shore applications. The SUFA valves enables system designers and installers to tailor sprinkler systems or low pressure water mist systems to specific locations and applications.

## Installation

When installed, connected pipes should not be supported by the SUFA valves, rather all pipes should be properly fastened through the use of approved pipe hangers. The valves should only be installed in locations free of vibrations and the valve should be placed either in the upright or in the pendent position. The SUFA valves should be placed with 50 mm free space between the heat sensitive element and objects in the vicinity of the valve.

The SUFA valves are applicable in both dry pipe and wet pipe systems and can be installed as a medium for pre-action systems; in this case, the valves should be electrically released by fire detection units such as smoke or flame detectors.

It is recommended that there be placed a monitored stop valve upstream from SUFA Valves as to shut off the supply of water to nozzles after activation.

General Stats			
Name	SUFA100 1X	SUFA100 2X	
Type	One Outlet	Two Outlets	
Dimensions	See fig. above for the type 2X version		
Working Pressure	0.5 bar – 16 bar		
KV-Value	70 (l/t/√bar)	97 (l/t/√bar)	
Nominal Release Temperatures	57°C, 68°C, 79°C, 93°C, 141°C		
Connections (inlet, outlet)	3/4" BSP female		
Materials	Brass CUZn58		
Finish	NiSn		
Weight	Net	0.53 kg	0.64 kg
	Brute	0.6 kg	0.7 kg
Expected Lifetime	10 years		
Electric Stats			
Electric Connections	Screw Connections		
Electric Release (Resistant Heat Element)	5 Ω		
Electric Release Signal	24W: 24 VDC, 1 amp over 10s or 12VDC, 2 amp over 10s.		
Monitoring Current	Max 0.02 A		
Related Products			
<u>Name</u>	<u>Model</u>		
Open nozzles	NA.		

## Contact

For further information on the SUFA Control Valve or similar products, please contact our sales department at [Sales@vidaps.dk](mailto:Sales@vidaps.dk)