



RACCORDERIE METALLICHE



English

# Press fitting systems Technical Handbook



January 2015

INOXPRES	Paese	Ente	Numero certificato	Dimensioni
			DW-8511AU2084 (W 534)	Ø 15 - 108 mm
			DW-7301 BM3426 (GW 541)	Ø 15 - 108 mm
			G 4060006 (Vds 2344 - Vds 2100)	Ø 22 - 76,1 mm
			W 1.402 (PW 300)	Ø 15 - 108 mm
			0007-4278 (TPW 132)	Ø 15 - 108 mm
			1209070	Ø 15 - 108 mm
			13/00035	Ø 15 - 108 mm
			79 - 1600	Ø 15 - 108 mm
			38058/A0 BV	Ø 15 - 108 mm
			VA 1.22/19224 VA 1.12/18410	Ø 15 - 108 mm Ø 15 - 108 mm
			1174/99	Ø 15 - 108 mm
			K40834/03 K40835/03	Ø 15 - 108 mm
			P-14170	Ø 15 - 108 mm
			Nr. 1623	Ø 15 - 108 mm
			ПОСЦИТ. Д Е01.Н 37816	Ø 15 - 108 mm
			TEST REPORT ZH 173	Ø 15 - 108 mm
			A-2156/2012	Ø 15 - 108 mm
			AT-15-7863/2008	Ø 15 - 108 mm
			STO-30-00061-10	Ø 15 - 108 mm
		MAC - 138111CS	Ø 15 - 108 mm	
		TIFQ - 0311R99	Ø 15 - 108 mm	
		DAU 11 - 072	Ø 15 - 108 mm	
		40141 - 40142	Ø 15 - 108 mm	
MARINEPRES			MAC - 138111CS	Ø 15 - 108 mm
			P - 13928	Ø 15 - 108 mm
			13/00035	Ø 15 - 108 mm
			38059/A0 BV	Ø 15 - 108 mm

INOXPRES GAS	Paese	Ente	Numero certificato	Dimensioni
			DG-8531BP0295 (VP 614)	Ø 15 - 54 mm
			DG-8531CL0163 (VP 614)	Ø 76 - 108 mm
			G 2.827 (PG 500, PG 314)	Ø 15 - 54 mm
			G 2.827 (PG 500, PG 314)	Ø 76 - 108 mm
			05-088-06 (VP 614)	Ø 15 - 54 mm
			CA06-00231	Ø 15 - 54 mm
			ПОСЦИТ. Д Е01.Н37816	Ø 15 - 54 mm
			A-730/2010	Ø 15 - 54 mm
			DAU 11 - 072	Ø 15 - 54 mm
			STO-30-00300-10	Ø 15 - 54 mm
			79 - 1339	Ø 15 - 108 mm
		V1005A	Ø 15 - 108 mm	
		P-14170	Ø 15 - 108 mm	
		ПОСЦИТ. Д Е01.Н37816	Ø 15 - 108 mm	
		A-2156/2012	Ø 15 - 108 mm	
		AT-15-7863/2008	Ø 15 - 108 mm	
		DAU 11 - 073	Ø 15 - 108 mm	
		B-30-00055-11	Ø 15 - 108 mm	
		0026/104/2011	Ø 15 - 108 mm	
STEELEPRES VdS-FM			G 408004	Ø 22 - 54 mm
			3034282	Ø 22 - 54 mm
AESPRES			DW-8511CL0331	Ø 15 - 54 mm
			1209071	Ø 15 - 54 mm
			n° 1988	Ø 15 - 54 mm
		K83136/01	Ø 15 - 54 mm	
AESPRES GAS			DG-8531CL0376	Ø 15 - 54 mm
			CA06.00293	Ø 15 - 54 mm

# Indice

<b>1.0</b>	<b>Introduction</b> .....	<b>5</b>
1.1	Raccorderie Metalliche S.p.A.....	5
1.2	Press fitting systems in water, heating and cooling installations.....	6
<b>2.0</b>	<b>Press fitting systems</b> .....	<b>7</b>
2.1	Connection technique - M profil .....	7
2.2	<b>Inoxpres</b> press fittings .....	7
2.3	<b>Inoxpres Gas</b> press fittings .....	8
2.4	<b>Inoxpres</b> piping.....	8
2.5	<b>Steelpres</b> press fittings .....	9
2.6	<b>Steelpres</b> piping.....	9
2.7	<b>Aespres</b> press fittings .....	10
2.8	<b>Aespres Gas</b> press fittings .....	10
2.9	<b>Aespres - Aespres Gas</b> copper piping.....	11
2.10	<b>Marinepres</b> press fittings .....	12
2.11	<b>Marinepres</b> piping.....	12
2.12	Sealing elements .....	13
2.12.1	Sealing ring profile.....	13
2.12.2	Materials, characteristics, applications .....	13
2.13	Pressing tools.....	15
2.13.1	Basic .....	15
2.13.2	Equipment periodical service .....	15
2.13.3	Sprinkler installations .....	17
<b>3.0</b>	<b>Areas of use</b> .....	<b>18</b>
3.1	Applications .....	20
3.1.1	Potable water, treated water, water for extinguishing systems.....	20
3.1.2	Heating .....	21
3.1.3	Cooling and refrigeration circuits .....	21
3.1.4	Compressed air and inert gas .....	21
3.1.5	Natural Gas / LPG installation.....	21
3.1.6	Solar, vacuum, steam, condensation .....	22
3.1.7	Industrial applications .....	22
3.1.8	Shipbuilding.....	23
3.1.9	Sprinkler installations .....	23
3.1.10	Glycols for installation .....	23
<b>4.0</b>	<b>Processing</b> .....	<b>24</b>
4.1	Storage and transport.....	24
4.2	Pipes-cutting to length, deburring, bending.....	24
4.3	Marking the insertion depth/stripping.....	24
4.4	Press fitting seal ring check .....	25
4.5	Making the press connection .....	25
4.6	Equipment installations in Australia/New Zealand.....	26

4.7	Protection of pipelines and connections from external corrosion - general .....	26
4.8	Minimum distances and space requirement for pressing .....	28
4.9	Thread or flange connections.....	28
<b>5.0</b>	<b>Planning .....</b>	<b>29</b>
5.1	Pipe fixings, distances between clamps .....	29
5.2	Expansion compensation.....	29
5.3	Thermal emission .....	33
5.4	Insulation.....	34
5.5	Soundproofing (DIN 4109).....	35
5.6	Fire prevention .....	35
5.7	Potential equalisation.....	36
5.8	Dimensioning.....	36
5.9	Trace heating .....	36
<b>6.0</b>	<b>Start-up .....</b>	<b>37</b>
6.1	Pressure testing.....	37
6.2	Flushing the system and starting up.....	37
6.3	Regular checks.....	37
<b>7.0</b>	<b>Corrosion.....</b>	<b>38</b>
7.1	<b>Inoxpres.....</b>	<b>38</b>
7.1.1	Bimetal corrosion (mixed installation) - DIN 1988 part 200 .....	38
7.1.2	Crevice, pitting corrosion (three phase corrosion) .....	38
7.1.3	Outside corrosion .....	39
7.2	<b>Inoxpres Gas.....</b>	<b>42</b>
7.2.1	Outside corrosion .....	40
7.3	<b>Steelpres .....</b>	<b>41</b>
7.3.1	Inside corrosion .....	41
7.3.2	Bimetal corrosion .....	41
7.3.3	Outside corrosion .....	41
7.4	<b>Aespres/Marinepres.....</b>	<b>42</b>
7.4.1	Bimetal corrosion (mixed installation).....	42
7.4.2	Perforating corrosion.....	42
7.4.3	Outside corrosion .....	42
7.5	<b>Aespres Gas.....</b>	<b>43</b>
<b>8.0</b>	<b>Disinfection .....</b>	<b>44</b>
<b>9.0</b>	<b>Hygiene .....</b>	<b>44</b>
<b>10.0</b>	<b>Form Request of compatibility .....</b>	<b>45</b>
<b>11.0</b>	<b>Pressure test protocol.....</b>	<b>46</b>
11.1	Pressure test protocol for drinking water systems in „wet conditions”.....	46
11.2	Pressure test protocol for hot water heating systems.....	47
11.3	Pressure test protocol for potable water with compressed air .....	48
<b>12.0</b>	<b>Guarantee .....</b>	<b>49</b>

# 1.0 Introduction

## 1.1 Raccorderie Metalliche S.p.A

Raccorderie Metalliche S.p.A. (RM) was founded as a family company in the Mantova province of Italy in 1970 and is specialised in the production and distribution of sleeves, fittings and elbows both in carbon steel and stainless steel and pipe fixing systems. In 1999 the company introduced **Inoxpres**, the press fitting system in stainless steel, and later **Steelpres**, the carbon steel press fitting system.

Extensive investment in buildings and very modern machinery in operation ensure the current annual capacity of approximately 8 million press fittings. The specialist sanitary and heating stockist trade within Europe, together with selected non-European markets, are supplied within the framework of the three-stage distribution set-up; market support subsidiary companies exist in both Germany / Austria and Spain.

The company has a distinctive quality management system which has been certified in accordance with UNI EN ISO 9001:2008.

The suitability of the **Inoxpres** and **Steelpres** press fitting systems described in this handbook for the applications defined has been- as far as required- tested and certified by WRAS, the DVGW in Germany and a wide range of other international organisations.



Figure 1 - Campitello head office and factory



Figure 2 - EN ISO 9001:2008 RM Certification

## 1.2 Press fitting systems in water, heating and cooling installation

Press fittings made of steel and copper were developed in Sweden at the end of the fifties and have enjoyed an increasingly large share of the market since the beginning of the eighties, in Europe. The connection technique is still considered to be innovative, since the tried-and-trusted simple 'cold' mounting technique allows fast, solid and permanent connection of tubing, especially in domestic water, gas and heating installations. In the meantime, the connection technique in the form of press fittings has spread to include not only all types of metal, carbon steel, stainless steel, copper, red bronze, etc., also plastic and plastic composite tubing, and is in Europe the leading connection technique. Raccorderie Metalliche S.p.A. (RM) has furtherly developed carbon steel, stainless steel and nowadays copper/copper-nickel press fitting range as well. Besides It has clearly simplified the system assembly through the modification of our o-ring shape and toroidal chamber. At the same time, the sealing surface has been enlarged and the risk of accidental non-pressing has been minimised by the creation of a security seal ring.



Figure 3 - Product range

With the **Inoxpres** press fitting system of stainless steel for potable water and gas installations, **Steelpres** for closed hot water heating systems, **Aespres** for potable water and gas installations, **Marinepres** for naval sector, RM offers a comprehensive shaped fitting series in the dimension range from 12-108 mm OD, together with piping, pressing tools and accessories.

To simplify applications for the fitter, the pressing of the fittings has been so constructed that all the tools approved from the press fitting systems leading manufacturers, i.e. pressing tools and pressing jaws or collars, are also approved by RM.

The planning and installation of potable water and heating systems demands comprehensive expert knowledge, together with knowledge of a multitude of industrial standards and technical guidelines. This technical handbook is intended to provide especially planners and fitters with essential information to help both size up the field of application and to carry out professional installation.

This handbook mostly refers to industrial standards and regulations which are valid in Germany. Of particular importance are DIN 1988 part 100-600, the VDI guideline 6023, DIN EN 806, DIN EN 1717, DIN EN 12329 and the amendment to the potable water legislation (TrinkwV) which came into effect on the 1st January 2003 as well as DVGW work sheets W 534 and GW 541.

For supplementary information, please contact the appropriate technical departments at Raccorderie Metalliche S.p.A. Names, addresses and further details can be found at the end of this handbook.

## 2.0 Press fitting systems

### 2.1 Connection technique - M profil

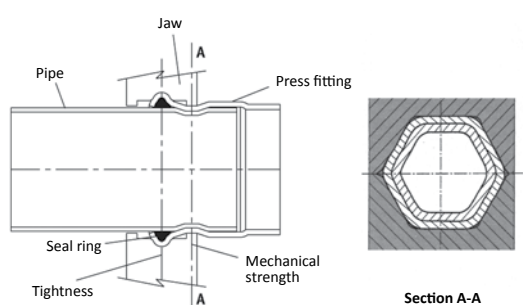
The press connection is made by inserting the pipe into the press fitting as far as the marked insertion depth. The connection is created by pressing, using an approved pressing tool (see point 2.13 Pressing tools). The longitudinal and compression closing character of the connection is clearly illustrated in figures 4 and 5.

Press fittings in dimensions 12-35 mm must be pressed with jaws, 42-108 mm must be pressed with pressing collars/chains.

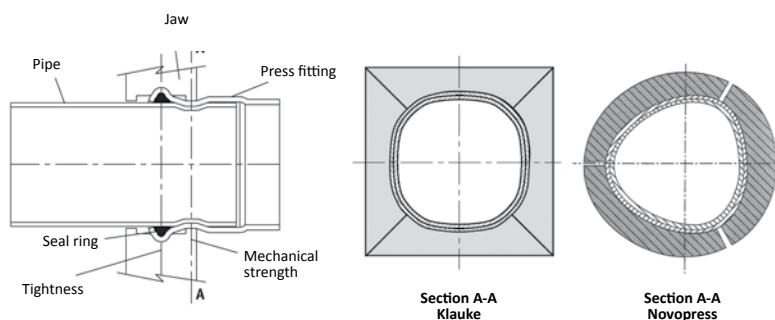
During the pressing process a deformation takes place on two planes.

The first plane creates a permanent connection and provides mechanical strength through the mechanical deformation of the press fitting and the pipe.

On the second plane the seal ring is deformed in its cross section and through its elastic properties creates the permanently tight joint.



**Figure 4** - Section through an **Inoxpres / Steelpres** connection with jaw still in position. Dimensions of 12 -35 mm produce a hexagonal pressing profile.



**Figure 5** - Section through an **Inoxpres / Steelpres** connection with collar still in position. Dimensions of 42-108 mm produce a defined profile.

The complete range of the press fitting systems **Inoxpres**, **Steelpres**, **Aespres** and **Marinepres** is described in the relevant „Product range” catalogue.

### 2.2 Inoxpres press fittings

**Inoxpres** press fittings are manufactured using high-alloyed austenitic stainless Cr-Ni-Mo steel with the material number 1.4404 (AISI 316 L).

The press fittings are indelibly marked with laser reporting the manufacturer name, diameter, DVGW test symbol and internal code. The formed ends of the press fittings are fitted with a black EPDM seal ring as standard for potable water applications.



**Figure 6** - **Inoxpres** press fitting

## 2.3 Inoxpres Gas press fittings

**Inoxpres Gas** press fittings 15 - 108 mm outside diameter are tested in accordance with the requirements of the DVGW VP 614 guidelines and in Austria according to PG 500 and PG 314.

They differ from **Inoxpres** for potable water installations in that they have a factory-fitted yellow NBR/HNBR seal ring and are also indelibly marked **Inoxpres** in black and indelibly yellow marked with 'RM' and the pressure range 'PN 5 /GT 1'.



Figure 7 - Inoxpres Gas press fitting

Please contact RM for details regarding the use of Inoxpres Gas for gas applications in the UK.

## 2.4 Inoxpres piping

**Inoxpres** pipes are longitudinally welded thin-walled tubes made of high alloyed austenitic stainless Cr-Ni-Mo steel with material number 1.4404 (AISI 316L), as well as tubes made of ferritic («nickel free») stainless steel with material number 1.4521 (AISI 444).

The tubes correspond to worksheet GW 541 of the German Association for Gas and Water, EN 10217-7 (DIN 17455) and EN 10312 and are therefore approved for drinking water/gas (14404 AISI 316L) and only for drinking water (1.4521 AISI 444). Inner and outer surfaces are bare metal and free of annealing colours and corrosion-promoting substances. **Inoxpres** pipes are classified as non-combustible pipes according to material class A; they are supplied in lengths of 6 meters and are closed with plastic plugs/caps at the ends.

TABLE 1: INOXPRES PIPES - DIMENSIONS AND CHARACTERISTICS

Pipe outside diameter x wall thickness in mm	Nominal width DN	Pipe inside diameter in mm	Mass in kg/m	Water volume in l/m
15 x 1,0	12	13	0,351	0,133
18 x 1,0	15	16	0,426	0,201
22 x 1,2	20	19,6	0,624	0,302
28 x 1,2	25	25,6	0,790	0,514
35 x 1,5	32	32	1,240	0,804
42 x 1,5	40	39	1,503	1,194
54 x 1,5	50	51	1,972	2,042
76,1 x 2	65	72,1	3,550	4,080
88,9 x 2	80	84,9	4,150	5,660
108 x 2	100	104	5,050	8,490



## 2.5 Steelpres press fittings

**Steelpres** press fittings are made of unalloyed steel with material number E 195 (material n° 1.0034) up to 108 mm outer diameter. A galvanic zinc coating with a thickness of 6÷12 µm protects against external corrosion. Unlike the **Inoxpres** press fittings, **Steelpres** fittings are indelibly marked in red with the manufacturer name, diameter and internal code. The black EPDM sealing ring used for **Inoxpres** is also fitted into the formed ends of the press fittings.



Figure 8 - Steelpres press fitting

## 2.6 Steelpres piping



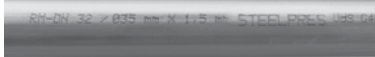
**Steelpres** pipes are longitudinally welded thin-walled precision steel tubes according to DIN EN 10305-3. The following materials are available:

- E 220 CR2S4 (material no 1.0215) pipes galvanised on the outside, the zinc coating is 6÷12 µm;
  - E 190 CR2S4 (material no 1.0031) pipes are sendzimir-galvanised on both sides; the zinc coating is 10÷20 µm.
- The weld seam is smoothed in order to ensure a proper sealing surface. **Steelpres** pipes with PP – coat 1 mm thick, available in diameters ranging from 12 mm to 108 mm outer diameter (material E 220 CR2S4 - n° 1.0215), are classified in accordance with DIN 4102-1 building material class B2 - non-burning droplets. **Steelpres** pipes are supplied in lengths of 6 meters.

TABLE 2: STEELPRES PIPES - DIMENSIONS AND CHARACTERISTICS

Pipe outside diameter x wall thickness in mm	Nominal width DN	Pipe inside diameter in mm	Mass in kg/m	Water volume in l/m	Pipe Outside diameter in mm
without PP-coating			with PP coating		
12 x 1,2	10	9,6	0,320	0,072	14
15 x 1,2	12	12,6	0,408	0,125	17
18 x 1,2	15	15,6	0,497	0,191	20
22 x 1,5	20	19	0,824	0,284	24
28 x 1,5	25	25	1,052	0,491	30
35 x 1,5	32	32	1,320	0,804	37
42 x 1,5	40	39	1,620	1,194	44
54 x 1,5	50	51	2,098	2,042	56
76,1 x 2	65	72,1	3,652	4,080	78,1
88,9 x 2	80	84,9	4,290	5,660	90,9
108 x 2	100	104	5,230	8,490	110

TABLE 3: CHOICE OF STEELPRES - TUBES

<b>316/005</b> galvanised on the outside, black inside	<b>316/003</b> galvanised on the outside, black inside + PP – coating	<b>316/002</b> galvanised inside/outside
Dimensions: $\varnothing$ 12 ÷ 108 mm 	Dimensions: $\varnothing$ 12 ÷ 108 mm 	Dimensions: $\varnothing$ 22 ÷ 54 mm 
Heating Solar Compressed air Inert gases	Heating Cooling	Wet sprinkler system $\varnothing$ 22 ÷ 54 mm VdS-FM-certified (water system) Compressed air Inert gases

## 2.7 Aespres press fittings

**Aespres** press fittings are made in DHP Cu-DHP 99.9 (CW024A) copper and in CuSn5Zn5Pb2 (CC499K) bronze from  $\varnothing$  12 to  $\varnothing$  54 mm included. **Aespres** fittings are indelibly marked with a laser system with the manufacturer name, the diameter and the DVGW control brand and with an internal code. At the press fitting swollen ends, a black EPDM o-ring is fitted.

**In Great Britain the Aespres system is certified with the WRAS quality brand from  $\varnothing$  15 ÷ 54 mm.**



Figure 9 - Aespres press fitting

## 2.8 Aespres Gas press fittings

**Aespres Gas** press fittings 15 - 54 mm outside diameter are tested in accordance with the requirements of the DVGW VP 614 guidelines.

They are different from da **Aespres** (drinkable water system version) for the following features:

- NBR yellow o-ring, fitted at the end of production;
- the yellow indelible marking with RM Gas and pressure field PN 5/GT1, next to the **Aespres** brand.

In Germany, for gas systems, compliance is to be provided to TRGI.



Figure 10 - Aespres Gas press fitting

## 2.9 Aespres - Aespres Gas copper piping

Piping for copper water and gas installation should comply with the standard UNI EN 1057:2010, “Copper and copper alloys - Round tubes in copper without welding for water and gas in health-care and heating applications”.

TABLE 4: MECHANICAL FEATURES FOR COPPER TUBES - EN 1057

Rif. EN 1173	State	Minimum traction resistance Rm (Mpa)
R220	Ricotto	220
R250	Semiduro	250
R290	Duro	290
Breaking A dilation		
Rif. EN 1173	ø (mm)	A min. (%)
R220	12÷22	40
R250	12÷28	30
R290	12÷54	30
Stato di fornitura		
R220	Annealed	Rolls
R250	Semi-hard	Bars
R290	Hard	Bars

Tube sizes to be used with **Aespres** and **Aespres Gas** press fittings are included in the annexed table.

TABLE 5: AESPRES PIPES - DIMENSIONS AND CHARACTERISTICS - EN 1057 / DVGW GW 392

Pipe outside diameter x wall thickness in mm	Nominal width DN	Pipe inside diameter in mm	Mass in kg/m	Water volume in l/m	Supplied condition
12x1	10	10	0,309	0,079	Roll 25/50 m (R 220) or Bar 5 m (R 250)
15x1	12	13	0,393	0,133	
18x1	15	16	0,477	0,201	
22x1	20	20	0,589	0,314	
28x1,5	25	25	1,115	0,491	Bar 5 m (R250)
35x1,5	32	32	1,410	0,804	Bar 5 m (R290)
42x1,5	40	39	1,704	1,194	
54x2	50	50	2,918	1,963	

## 2.10 Marinepres press fittings

**Marinepres** press fitting are made in CuNi10Fe1.6Mn (WL 2.1972) copper-nickel from  $\varnothing$  15 to  $\varnothing$  108 mm included.

**Marinepres** fittings are indelibly marked with a laser system with the manufacturer name, the diameter and the DVGW control brand and with an internal code. At the press fitting swollen ends a green FKM o-ring is fitted.



Figure 11 - Marinepres press fitting

## 2.11 Marinepres piping

**Marinepres** piping, with thin walls longitudinally welded, are in CuNi10Fe1.6Mn copper-nickel. Tubes in copper-nickel are made in compliance with the standard DIN 86019. Internal and external surfaces are in plain metal, with no substance leading to corrosion. **Marinepres** tubes are classified as non combustible, belonging to class A as fire reaction. They are supplied in 6 m long bars.

TABLE 6: MARINEPRES PIPES - DIMENSIONS AND CHARACTERISTICS

Pipe outside diameter x wall thickness in mm	Nominal width DN	Pipe inside diameter in mm	Mass in kg/m	Water volume in l/m
15x1	12	13	0,392	0,133
18x1	15	16	0,476	0,201
22x1	20	20	0,588	0,314
28x1,5	25	25	1,114	0,491
35x1,5	32	32	1,408	0,804
42x1,5	40	39	1,702	1,195
54x1,5	50	51	2,206	2,043
76,1x2	65	72,1	4,146	4,072
88,9x2	80	84,9	4,874	5,675
108x2,5	100	103	7,389	8,332

## 2.12 Sealing elements

### 2.12.1 Sealing ring profile

Traditional press fitting systems use round sealing rings, which can easily be damaged by careless fitting.

RM on the other hand uses a patented sealing ring with a lenticular profile which fits the press crimp groove.

This provides the following advantages:

- a 20% enlargement of the sealing surface area;
- Major reduction of the risk of the sealing ring being pressed out or damaged;
- fit makes the pipes insertion easier.

The black EPDM sealing ring from 15 - 54 mm is supplied with an additional safety feature that during pressure tests will lead to leakage in the case of accidentally unpressed connections.

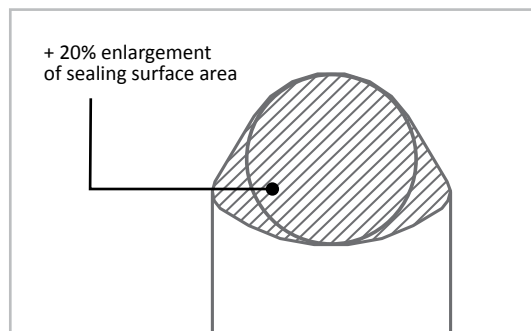


Figure 12 - Sealing ring profile



Figure 13 - Security EPDM sealing ring (ø 15 ÷ 54 mm).

### 2.12.2 Materials, characteristics, applications





Press fitting systems were originally developed for use in potable water and heating installations and were fitted with a single standardised sealing ring for these applications.

Additional fields of application, such as gas and solar, have been added through the use of stainless steel material, at the same time motivating the development of sealing rings suitable for these applications.

RM supplies four different sealing rings; their characteristics and fields of application are shown in table 7.

The black EPDM standard sealing ring only is factory-fitted in the siliconised version in **Inoxpres** and **Steelpres** press fittings. The green FKM sealing ring only is factory-fitted in **Marinepres** press fittings.

TABLE 7: SEALING RINGS - FIELDS OF APPLICATION AND TECHNICAL DATA

Technical term	Colour	Operating temperature min. -/ max. degrees centigrade	Operating pressure maximum in bar	Approvals and certification basis	Fields of application	Factory-fitted
EPDM	black 	-20°/+120°	16	KTW W 270 DVGW W 534	Potable water Heating Cooling and refrigeration circuits Treated water Desalinated water Rainwater Compressed air (Class 1÷4)	YES
NBR HNBR	yellow 	-20°/+70°	5	G 260HTB DVGW VP 614	Natural gas Methane gas GPL (gaseous state)	YES
FKM	green 	-20°/+220°	16	-	Solar Compressed air (Class 5) Naval	YES (for Marinepres)
MVQ	red 	-20°/+180°	16	-	Industrial applications following approval by RM	NO

With the exception of potable water, heating, solar, compressed air and gas, the figures in the table above are only for guidance; examination and approval by RM of each individual situation is therefore required.

## 2.13 Pressing tools

### 2.13.1 Basics

Pressing tools basically consist of the pressing machine (= drive machine) and pressing jaws or collars/chains. Many of the pressing jaws/collars can generally be used with the pressing machines from one manufacturer. Additionally, many manufacturers of pressing tools have so standardised the jaw attachment that pressing jaws from other manufacturers can also be used.

Principally, all metallic press fitting systems have a pressing contour on the press fittings which matches the profile of the pressing jaws/collars. For this reason it is necessary to have the approval of the tooling by the manufacturer of the press fittings intended for use. In addition, it is important to follow exactly the maintenance and servicing instructions issued by the pressing tool manufacturer.



Figure 14 - Klauke UAP3L



Figure 15 - Klauke UAP100L



Figure 16 - Novopress ACO202



Figure 17 - Novopress ACO401

### 2.13.2 Approved pressing tools

RM approves the tools produced by Klauke and Novopress listed in the tables 8 and 9 below. These are pressing tools with the appropriate pressing jaws or collars/chains.

TABLE 8: MANUFACTURER KLAUKE					
Type	Piston strength	Dimension range	Weight	Compatible with jaws from	
MAP1	15 KN	15 ÷ 22 mm	~ 2,5 Kg	Not compatible	
UAP2 - UAP3L	32 KN	12 ÷ 54 mm	~ 3,5 Kg	Novopress EFP2 / EFP201 / AFP201 / EFP202 / AFP202 / ECO 1 / ACO 1	
UNP2	32 KN	12 ÷ 54 mm	~ 3,5 Kg	Novopress EFP2 / EFP201 / AFP201 / EFP202 / AFP202 / ECO 1 / ACO 1	
UAP4 - UAP4L	32 KN	12 ÷ 54 mm PN16 76,1 ÷ 108 mm PN10	~ 4,3 Kg	Novopress EFP2 / EFP201 / AFP201 / EFP202 / AFP202 / ECO 1 / ACO 1 12 ÷ 54 mm	
UAP100 - UAP100L	120 KN	76,1 ÷ 108 mm	~ 12,7 Kg	Not compatible	
AHP700LS	PKUAP3	32 KN	12 ÷ 54 mm	~ 12,3 Kg	Novopress EFP2/EFP201/AFP201 / EFP202/AFP202 / ECO 1 / ACO 1 12 ÷ 54 mm
	PKUAP4	32 KN	12 ÷ 54 mm PN16 76,1 ÷ 108 mm PN10	~ 12,6 Kg	
	PK100AHP	120 KN	76,1 ÷ 108 mm	~ 20,2 Kg	Not compatible
EHP2/SANB	0,75 KW	76,1 ÷ 108 mm	~ 28 Kg	Not compatible	

With regard to the Klauke pressing tool UAP4/UAP4L, the limitation on PN 10 is to be observed for the king-size dimensions 76-108 mm outer diameter.

TABLE 9: MANUFACTURER NOVOPRESS

Type	Piston strength	Dimension range	Weight	Compatible with jaws from
EFP2	32 KN	15 ÷ 54 mm	~ 6,1 Kg	EFP 201 / AFP201 / ECO 1 / ACO 1
EFP201/EFP202	32 KN	15 ÷ 54 mm	~ 4,4 Kg	EFP 2 ECO 1 / ACO 1
AFP201/AFP202	32 KN	15 ÷ 54 mm	~ 4,3 Kg	EFP 2 ECO 1 / ACO 1
ECO 202/ACO202	32 KN	15 ÷ 54 mm	~ 3,3 Kg	ECO201 / ACO 201 ECO1 / ACO1
ACO 202XL	32 KN	15 ÷ 54 mm	~ 4,6 Kg	ECO202 / ACO 202
ACO401	100 KN	76,1 ÷ 108 mm	~ 13 kg	Not compatible
ACO 3	36 KN	15 ÷ 54 mm	~ 5,0 Kg	ECO 3
ECO 301	45 KN	15 ÷ 54 mm	~ 5,0 Kg	ACO 3
HCP	190 KN	76,1 ÷ 108 mm	~ 14-16 Kg	Not compatible

The Novopress ECO 301 and ACO 202XL pressing tools, **are not approved** for the king size dimensions 76 ÷ 108 mm. **Inoxpres Gas** fittings in sizes 76 ÷ 108 mm must be pressed with pressing collars/chains and UAP100/UAP100L/ACO401 pressing machine only (others pressing machines are not approved).



### 2.13.3 Periodical equipment service

Jaw and chain pressing units are to be serviced for a correct joint production. They are to be serviced at least once a year or after 900 working hour by an authorized dealer. What is more any moving part (drive rolls) and pressing jaw and chain surfaces (internal profiles) are to be daily serviced, cleaned and lubricated.

Any possible oxidation, paint or dirt in generally affect the tool reliability leading to equipment sliding problems on joints during pressing.

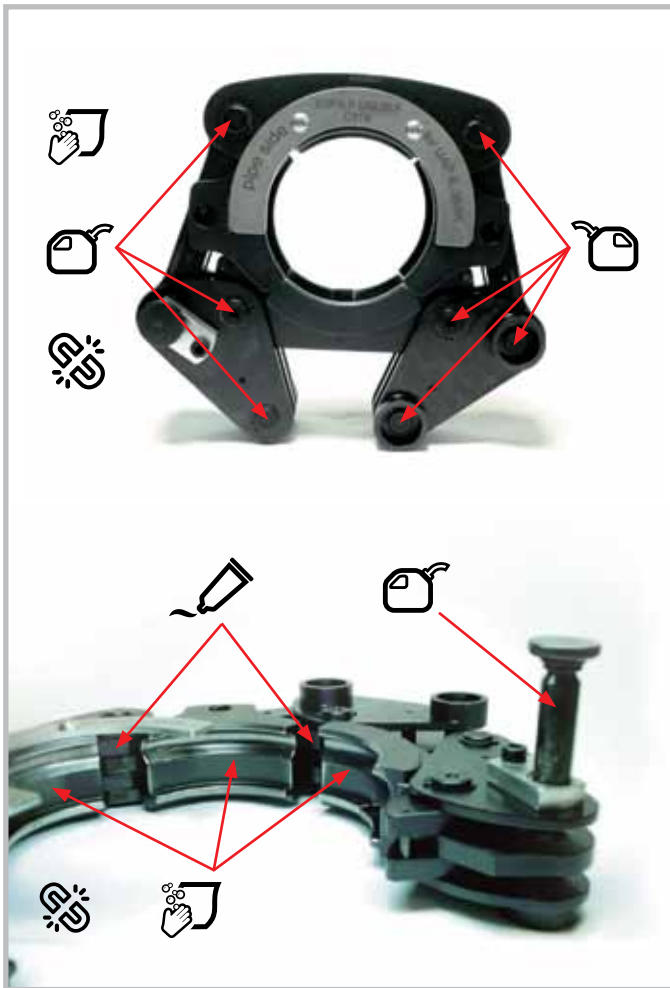





Figure 18 - Klauke equipment




Figure 19 - Novopress equipment

 Keep the chain clean

 Keep the pins lubricated with oil

 Keep the pins lubricated with grease

 Attention it can be broken

## 3.0 Areas of use

TABLE 10: FIELD OF APPLICATION FOR PRESS FITTING SYSTEMS INOXPRES / STEELPRES / AESPRES

Application	System	O-ring	Notes	PN max (barg)	T °C
Drinking water	<b>Inoxpres</b> (pipe AISI 316L o Type 444)	EPDM black	-	16	0° / +120°C
	<b>Aespres</b> (copper pipe table 4-5)	EPDM black	-	16	0° / +120°C
Heating	<b>Steelpres</b> (pipe 316/005)	EPDM black	Only use internally black pipes. Paying particularly attention to the external protection against corrosion by using a PP covered Pipe + primer (paint) / bandage.	16	0° / +120°C
	<b>Inoxpres</b>	EPDM black	-	16	0° / +120°C
	<b>Aespres</b> (copper pipe table 4-5)	EPDM black	-	16	0° / +120°C
Extinguishing water <sup>(1)</sup>	<b>Inoxpres</b> <sup>(2)</sup>	EPDM black	Dal ø 22 ÷ 76 mm (VdS certified)	12,5	Room temperature
Sprinkler system <sup>(3)</sup>	<b>Inoxpres</b> <sup>(4)</sup> (pipe AISI 316L)	EPDM black	Dim ø 22 ÷ 76 mm (VdS certified) (wet and dry)	12,5	Room temperature
	<b>Steelpres VdS-FM</b> <sup>(4)</sup> (pipe 316/002)	MVQ red	Dim. ø 22 ÷ 54 mm (VdS-FM certified) use external/internal galvanized pipe (wet)	16	Room temperature
Cooling	<b>Inoxpres</b>	EPDM black	-	16	-20° / +120°C
	<b>Steelpres</b> (pipe 316/003)	EPDM black	Only use internally black pipes. Paying particularly attention to the external protection against corrosion by using a PP covered Pipe + primer (paint) / bandage.	16	-20° / +120°C
	<b>Aespres</b> (copper pipe table 4-5)	EPDM black	-	16	-20° / +120°C
Solar	<b>Inoxpres</b>	FKM verde	-	6	-20° / +220°C
	<b>Steelpres</b> (pipe 316/005)	FKM verde	Only use internally black pipes. Paying particularly attention to the external protection against corrosion by using appropriate insulation-coating.	6	-20° / +220°C
	<b>Aespres</b> (copper pipe table 4-5)	FKM verde	-	6	-20° / +220°C
Methane gas Natural gas LPG in gaseous state	<b>Inoxpres Gas</b> (pipe AISI 316L)	NBR yellow	Dim. ø 15 ÷ 54 mm	5	-20° / +70°C
	<b>Aespres Gas</b> (copper pipe table 4-5)	NBR yellow	Dim. ø 15 ÷ 54 mm	5	-20° / +70°C

<sup>(1)</sup> The certifications VdS define a possible use for extinguishing water. Please contact RM for verification.

<sup>(2)</sup> For joints 22-54 mm use presses whose driving force accounts for 32 KN. For King size fittings (76 mm), use presses whose driving force accounts for 100 KN.

<sup>(3)</sup> The certifications VdS-FM define a possible use for sprinkler systems. Please contact RM for verification.

<sup>(4)</sup> For joints 22-54 mm use presses whose driving force accounts for 32 KN. For King size fittings (76 mm), use presses whose driving force accounts for 100 KN.

Compressed air	<b>Inoxpres</b>	<sup>(4)</sup> EPDM nero Classe 1÷4 (residuo olio <5 mg/m <sup>3</sup> ) FKM verde Classe 5 (residuo olio >5 mg/m <sup>3</sup> )	System not silicone-free (not suitable for varnishing systems)	16 bar to dim. Ø 54 10 bar from Ø 76 ÷ 108 mm	Room temperature
	<b>Steelpres</b>	<sup>(4)</sup> EPDM nero Classe 1÷4 (residuo olio <5 mg/m <sup>3</sup> ) FKM verde Classe 5 (residuo olio >5 mg/m <sup>3</sup> )	System not silicone-free (not suitable for varnishing systems) for systems requiring clean air - without dust formation - the use of the <b>Inoxpres</b> system is recommended	16 bar to dim. Ø 54 10 bar from Ø 76 ÷ 108 mm	Room temperature
	<b>Aespres</b> (copper pipe table 4-5)	<sup>(4)</sup> EPDM nero Classe 1÷4 (residuo olio <5 mg/m <sup>3</sup> ) FKM verde Classe 5 (residuo olio >5 mg/m <sup>3</sup> )	System not silicone-free (not suitable for varnishing systems)	16 bar to dim. Ø 54	Room temperature

<sup>(4)</sup> According to ISO 8573-1/2001 standard

Nitrogen in gaseous state	<b>Inoxpres</b>	EPDM black	Only for industrial use (medicine excluded)	16 bar to dim. Ø 54 10 bar from Ø 76 ÷ 108 mm	Room temperature
	<b>Steelpres</b>	EPDM black	Only for industrial use (medicine excluded)	16 bar to dim. Ø 54 10 bar from Ø 76 ÷ 108 mm	Room temperature
	<b>Aespres</b> (copper pipe table 4-5)	EPDM black	Only for industrial use (medicine excluded)	16 bar to dim. Ø 54	Room temperature
Argon in gaseous state	<b>Inoxpres</b>	EPDM black	Only for industrial use (medicine excluded)	16 bar to dim. Ø 54 10 bar from Ø 76 ÷ 108 mm	Room temperature
	<b>Steelpres</b>	EPDM black	Only for industrial use (medicine excluded)	16 bar to dim. Ø 54 10 bar from Ø 76 ÷ 108 mm	Room temperature
	<b>Aespres</b> (copper pipe table 4-5)	EPDM black	Only for industrial use (medicine excluded)	16 bar to dim. Ø 54	Room temperature
Dry carbon dioxide in gaseous state	<b>Inoxpres</b>	EPDM black	Only for industrial use (medicine excluded)	16 bar to dim. Ø 54 10 bar from Ø 76 ÷ 108 mm	Room temperature
	<b>Steelpres</b>	EPDM black	Only for industrial use (medicine excluded)	16 bar to dim. Ø 54 10 bar from Ø 76 ÷ 108 mm	Room temperature
	<b>Aespres</b> (copper pipe table 4-5)	EPDM black	Only for industrial use (medicine excluded)	16 bar to dim. Ø 54	Room temperature
Steam	<b>Inoxpres</b>	FKM verde	-	Max 1 barg	Max 120°C
Vacuum	<b>Inoxpres</b>	EPDM black	-	Max - 0,8 barg	Room temperature
	<b>Aespres</b> (copper pipe table 4-5)	EPDM black	-	Max - 0,8 barg	Room temperature

The above mentioned information/compatibility does not exempt the planning manager of the responsibility to create a detailed implementation planning and a risk analysis in accordance with the provisions of Directive 97/23/CE PED pressure systems.

## 3.1 Applications

### 3.1.1 Potable water, treated water, water for extinguishing systems

The **Inoxpres** press fitting system is manufactured using high alloy austenitic Cr-Ni-Mo stainless steel with the material number 1.4404 (AISI 316 L). Thanks to its high resistance to corrosion and suitability in terms of hygiene, **Inoxpres** can be used for all drinking water applications in accordance with German potable water legislation (TrinkwV).

Since this material does not release any heavy metals into the water, the purity of the potable water remains unchanged by the **Inoxpres** press fitting system.

The **Aespres** press fitting system is available in copper and bronze and it can be used for any drinkable water as it is bacterial-static, thus it inhibits the bacteria proliferation.

Should copper tubes and joints used for hydro-sanitary systems, they should comply with limits imposed by the standard DIN 50930 Teil 6:

- $\text{pH} \geq 7.4$  or
- $7.0 \leq \text{pH} \leq 7.4$  and  $\text{TOC} \leq 1.5 \text{ g/m}^3$

The TOC, Total Organic Carbon, is the concentration index of the total organic substances present in the water.

The black EPDM sealing ring fulfils the standards of the KTW recommendations and meets the standards in accordance with DVGW worksheet W 270.

**Inoxpres** and **Aespres** with black EPDM sealing rings are suitable for use in the fields of:

- Potable water in cold water, warm water and circulation piping.
- Treated water, such as softened, decarbonated and desalinated water.

**Inoxpres** with black EPDM sealing rings is suitable for use in the fields of:

- Extinguishing water piping in accordance with DIN 1988, part 600.

The use of anticorrosion or ant-freeze additives requires the approval of RM.

**Inoxpres** and **Aespres** are not suitable for applications which require a higher degree of water purity than for the quality of potable water, such as for example for pharmaceutical water or purest types of water.



Figura 20 - **Inoxpres** - Acqua potabile



Figura 21 - **Inoxpres** - Industria

### 3.1.2 Heating

The **Inoxpres**, **Steelpres** and **Aespres** press fitting systems with black EPDM sealing rings is used for hot water heating systems in accordance with DIN 4751 which have a flow temperature up to max. 120° centigrade and maximum pressure PN16: closed and open versions (**Inoxpres** and **Aespres**), closed version (**Steelpres**).

They are suitable for both on-wall and in-wall installation (with appropriate protections).

In case of floor radiator connections, it is necessary to provide for a consistent corrosion protection, with a joint sealing, made according to the highest standards. Otherwise it is possible to run the risk of washing water penetration hydrating the insulation and thus increasing the risk of corrosion.

The use of anti-corrosion or antifreeze additives requires the approval of RM. RM recommends the use of pipes only galvanized on the outside.

### 3.1.3 Cooling and refrigeration circuits

**Inoxpres**, **Steelpres** and **Aespres** with black EPDM sealing rings are suitable for use cooling and refrigeration circuits in closed and open versions (**Inoxpres** and **Aespres**), in closed version (**Steelpres**) with operating temperatures between -20°/+120° centigrade. The use of anti-corrosion or antifreeze additives requires the approval of RM.

For **Steelpres** press fitting system, RM recommends the use of pipes only galvanized on the outside with particular attention to the external protection of the plants in carbon steel (see chapter 4.7).

### 3.1.4 Compressed air and inert gas

The **Inoxpres**, **Steelpres** and **Aespres** press fitting system are suitable for pneumatic lines and inert gases (PN16 till Ø 54 mm, PN10 from Ø 76 up to Ø 108 mm). For systems with a residual oil content of class 1 to 4 (according to ISO 8573-1/2001) the black EPDM sealing ring can be used. For systems with a residual oil content of class 5 (according to ISO 8573-1/2001) the green FKM sealing ring can be used. It is loosely supplied and the factory-loaded black EPDM sealing ring is to be replaced by the processor. To ensure optimal sealing of compressed air or vacuum lines, it is recommended to humidify the sealing ring with water prior to assembly. In case of necessity of clean air, in absence of dust, the use of **Inoxpres** system is recommended.

### 3.1.5 Natural Gas / LPG installation

The **Inoxpres Gas** and **Aespres Gas** press fitting system are suitable for natural gas and LPG following the here below subscriptions:

- **Inoxpres Gas** 15-108 mm OD with factory-fitted yellow NBR/HNBR sealing ring is approved in Germany for natural and liquid gases in accordance with the DVGW worksheet G 260. The certification basis here is provided by the DVGW worksheet VP 614 together with DIN EN 682.
- **Aespres Gas** 15-54 mm OD with factory-fitted yellow NBR sealing ring is approved in Germany for natural and liquid gases in accordance with the DVGW worksheet G 260. The certification basis here is provided by the DVGW worksheet VP 614 together with DIN EN 682.
- **Inoxpres Gas** and **Aespres Gas** can be used inside buildings for on-wall and in-wall installations, but outside the building only for installations above ground.

- **Inoxpres Gas** and **Aespres Gas** fittings in dimensions 42 and 54 mm must be pressed with pressing collars/chains; pressing with jaws is not permitted.
  - fittings in sizes 76 ÷ 108 mm must be pressed with pressing collars/chains and UAP100 / UAP100L / ACO401 pressing machine only (others pressing machines are not approved).
- Please contact RM for details regarding the use of **Inoxpres Gas** for gas applications in the UK.

### 3.1.6 Solar, vacuum, steam, condensation

**Inoxpres**, **Steelpres** and **Aespres** with green FKM sealing rings with increased temperature and oil resistance can be used in the following fields of application:

- Solar piping, temperature range  $-20^{\circ}/+220^{\circ}$  centigrade. The temperature range is only permitted for solar systems with water-glycol mixture.
- Vacuum piping up to 200 mbar absolute.

In order to achieve optimum sealing of compressed air and vacuum piping, it is recommended that the sealing ring be moistened using water before assembly.

Green FKM sealing rings are supplied loose and the fitter has to use them to replace the factory-fitted black EPDM sealing rings.

For **Steelpres** press fitting system RM recommends the use of pipes only galvanised on the outside.

**Inoxpres** with green FKM sealing rings can be used in the following fields of application:

- Steam and condensation piping, temperature of maximum  $120^{\circ}$  centigrade at steam pressure of max. 1 bar.

### 3.1.7 Industrial applications

Due to its higher temperature resistance, **Inoxpres** with red MVQ sealing rings is especially suitable for a multitude of media in industrial applications. An individual case approval from RM is required in this situation.



Figure 22 - Steelpres - refrigeration circuit



Figure 23 - Steelpres - Pipe PP coated



Figure 24 - Steelpres - Press fittings

### 3.1.8 Shipbuilding

**Inoxpres** and **Marinepres** are certified for different applications in shipbuilding.

The black EPDM standard sealing ring only is factory-fitted in the siliconised version in **Inoxpres** press fittings.

The green FKM sealing ring only is factory-fitted in **Marinepres** press fittings.

Separate information is available if required.

### 3.1.9 Sprinkler installations

**Inoxpres** and **Steelpres** are certified to be used with sprinkler installations according to the following certifications institutions.

- VdS  $\varnothing$  22 ÷ 76 mm PN12,5 bar - **Inoxpres** with standard EPDM o-ring for dry and wet sprinkler installations;
- VdS-FM  $\varnothing$  22 ÷ 54 mm PN16 bar - **Steelpres** VdS-FM with red MVQ o-ring for wet sprinkler installations.

The use is limited to the activity protection at low-medium level (LH, OH1-OH3 and OH4 for exhibition pavilions, cinemas, theatres, concert halls - refer to EN 12845). VdS-FM certifications impose the use of installation with driving force accounting for  $\geq 32$  KN up to  $\varnothing$  54 mm while for King Size (76 ÷ 108) fittings, only use presses whose driving force accounts for  $\geq 100$  KN.

**Further information will be separately provided on request and they are available on the dedicated technical information.**

### 3.1.10 Glycols for installation

The following table lists some glycols normally used for heating systems, cooling and solar systems. Should glycols be used, which are not listed in the table, please contact the technical office of Raccorderie Metalliche.

TABLE 11: CHEMICAL COMPATIBILITY OF GLYCOLS

GLICOLE	Hersteller	Produttore
GLYKOSOL N	Pro Kühlsöle GmbH	Heating Cooling cycles
PEKASOL L	Pro Kühlsöle GmbH	Heating Cooling cycles
PEKASOLar 50	Pro Kühlsöle GmbH	Solar
PEKASOLar 100	Pro Kühlsöle GmbH	Solar
PEKASOLar F	BMS Energy	Solar
TYFOCOR	Tyforop Chemie GmbH	Heating Cooling cycles
TYFOCOR L	Tyforop Chemie GmbH	Heating Cooling cycles Solare
TYFOCOR LS	Tyforop Chemie GmbH	Solar
CosmoSOL	Tyforop Chemie GmbH	Heating Cooling cycles Solare
Antifrogen N	Clariant	Heating Cooling cycles
Antifrogen L	Clariant	Heating Cooling cycles
Antifrogen SOL-HT	Clariant	Solar

NOTE: please follow the manufacturer's utilization notes. For **Steelpres**, please only use internally black pipes.

## 4.0 Processing

### 4.1 Storage and transport

**Inoxpres / Steelpres / Aespres / Marinepres** system components have to be protected against dirt and damage during transport and storage. The ends of the pipes are factory-fitted with plugs/caps to prevent dirt.

The pipes must be stored in a device with a protective coating or plastic alloy, so that they do not come in contact with other materials. Moreover, pipes as well as press fitting must be stored in a covered area protected against effects of humidity in order to prevent corrosion and/or oxidation of the surface to avoid (particularly in the area of the **Steelpres** press fitting systems).

### 4.2 Pipes - cutting to length, deburring, bending

The pipes should be cut to length using professional pipe cutters which are suitable for the material in use. Alternatively, fine-tooth hacksaws or suitable electric saws may be used.

Not permitted are:

- tools which cause tarnishing during the cutting operation;
- oil-cooled saws;
- flame cutting or angle grinders.

To avoid damaging the sealing ring when inserting the pipe into the press fitting, the pipe must be carefully deburred, both inside and outside, following cutting to length. This can be carried out using manual deburring tools which are suitable for the material in use, whilst for larger dimensions suitable electrical pipe deburring tools or files can be used. The pipes can be bent by means of conventional bending tools up to 22 mm outer diameter ( $R \geq 3.5 \times D$ ).

DN 12 - R=45 mm    DN 15 - R=55 mm    DN 18 - R=70 mm    DN 22 - R=77 mm

No tube hot bending allowed.



Figure 25 - Cutting the pipe to length



Figure 26 - Deburring the pipe

### 4.3 Marking the insertion depth / stripping

Sufficient mechanical strength of the press fitting connection will only be achieved if the insertion depths shown in table 12 are adhered to. These insertion depths are valid for pipes or fittings with insertion ends (i. e. fittings without pressfit end) and must be marked using a suitable marking tool.

The marking of the insertion depth on the pipe must be visible directly next to the press fitting formed end following pressing.

The distance of the marking on the pipe/fitting from the press fitting formed end may not exceed 10% of the required insertion depth, since otherwise the mechanical stability of the connection cannot be guaranteed. In the case of **Steelpres** PP-coated pipes, the insertion depth is defined through the stripping of the plastic coating using a suitable stripping tool.



TABLE 12: INSERTION DEPTH AND MINIMUM DISTANCES

Pipe outside diameter in mm	A mm	D mm	L mm
12	18	20	56
15	20	20	60
18	20	20	60
22	21	20	62
28	23	20	66
35	26	20	72
42	30	40	100
54	35	40	110
76,1	55	60	170
88,9	60	60	180
108	75	60	210

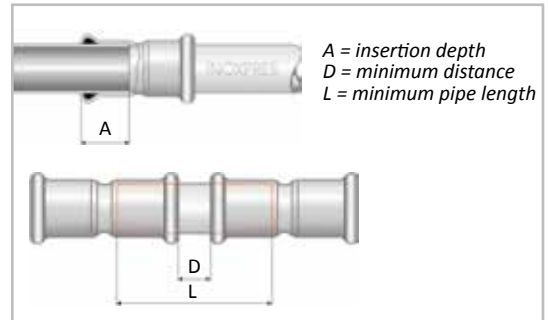


Figure 27 - Insertion depth and minimum dimensions

#### 4.4 Press fitting seal ring check

Before assembly the sealing ring must be checked to ensure that it is lying in the pressing groove correctly and that it is clean and undamaged.

If necessary, the sealing ring should be replaced.

Additionally, the fitter should check whether the ring in position is suitable for the special application, or whether another sealing ring needs fitting.

#### 4.5 Making the press connection

Using light pressure and making a turning movement at the same time, press the pipe into the press fitting up to the marked insertion depth. If the tolerances are so narrow that additional force is required to insert the pipe into the press fitting, then water or soapy water may be used as a lubricant.

Oil and grease are not permitted for use as lubricants.

Pressing is carried out using suitable electromechanical/ electrohydraulic pressing tools and dimension-matching pressing jaws or collars/chains. Tested and approved pressing tools or pressing jaws/collars/chains are listed under table 8-9, approved pressing tools.



Figure 28 - Marking the insertion depth



Figure 29 - Stripping (Steelpres PP coated)



Figure 30 - Checking the sealing ring

The matching pressing jaw is mounted in the pressing machine, or the appropriate collar/chain mounted on the fitting, depending on the dimensions of the press fitting. The slot of the pressing jaw/collar must be positioned exactly over the press fitting formed end.

Following pressing, the complete connection should then be checked to ensure that the work has been carried out correctly and that the insertion depth is correct. The fitter should also ensure that all connections have actually been pressed.

Following completed pressing, the pressing points may not be subjected to further mechanical loading. The positioning and straightening of the pipes and the sealing of threaded connections must therefore take place before the pressing is carried out. Slight movement and lifting of pipes, for example for painting work, is permitted.

#### 4.6 Equipment installations in Australia/New Zealand

Possibly tube and joint installations in Australia or New Zealand should comply with regulation AS/NZS 3500.1 and following amendments.

#### 4.7 Protection of pipelines and connections from external corrosion - general

All pipes with hot or cold liquids must be protected externally by appropriate coatings so as to avoid any unwanted incidents, such as:

- condensation;
- condensation with external corrosion;
- corrosion by external influences;
- thermal dispersion.

Pipes and connections must be protected with varnish, plastic coatings, press-on tyres with adhesive tapes and thermal insulation (see Chapter 5.4 of the Manual).



Figure 31 - Inserting pipe into the press fitting



Figure 32 - Making the press connection



Figure 33 - Checking the press connection



Figure 34 - Varnish of the connections and pipes with primer.

To prevent external corrosion of **Steelpres** systems - especially where condensation water could increasingly occur (e.g. air conditioning and cooling units) - the following is recommended:

- Use tubes with a propylene coating if tubes of non-alloy steel are used;
- Proper protection of tubes/connections with the help of a coating with primer;
- Proper protection of tubes/connections with the help of viscoelastic tape, consisting of butanol-mastic, supported by a film made of high-density polyethylene (entire thickness approx. 0.8 mm).

The butanol-adhesive tape (type RM code 850NS000000) has high tensile and high adhesive strength and is self-fluxing. It requires no adherent primer, lets surfaces perfectly repel water and insulates against atmospheric influences and free chemicals. The high tensibility provides the tapes with comprehensive applicability for all types of surfaces, even for irregular surfaces such as bends, T-piece, sleeves, etc.

For the application, it is sufficient that the surface is clean but not wet. The tape must be under pressure and cleaned depending on the situation. It extends over 700% compared to its original length, while the width at the end depends on the extension. It is recommended to overlap the tape with at least 10% of the tape width.

A coating protection with the help of tapes and/or varnish must always occur after a trial run of the system.

**Important: the choice and the implementation of the type of protection against external corrosion is responsibility of the planner and installer.**



*Figura 35 - Protection of the connectors with butanol adhesive tape*



*Figura 36 - Protection against external corrosive materials:  
A. Pipe with PP-coating  
B. Varnish with primer  
C. Protection with butanol adhesive tape*

## 4.8 Minimum distances and space requirement for pressing

To carry out pressing correctly, there must be a minimum distance between the pipe and the building, and from pipe to pipe, as shown in tables 13 and 14.

TABLE 13: MINIMUM DISTANCES AND SPACE REQUIREMENT  
12 - 35 mm

Tube $\varnothing$		Figure 37		Figure 38			Figure 39				Figure 40	
I	S	A	D	A	D	D1	A	C	D	D1	D	E
-	12 x 1,2	56	30	75	30	35	85	155	30	35	40	60
15 x 1,0	15 x 1,2	56	30	75	30	35	85	155	30	35	40	60
18 x 1,0	18 x 1,2	60	30	75	30	40	85	165	30	40	40	60
22 x 1,2	22 x 1,5	75	40	80	40	40	85	165	40	40	40	61
28 x 1,2	28 x 1,5	82	40	90	40	45	90	180	40	45	40	63
35 x 1,5		85	40	90	40	45	90	180	40	45	40	66

TABLE 14: MINIMUM DISTANCES  
42 - 108 mm

Tube $\varnothing$	Figure 41		
	A	B	C
42 x 1,5	150	150	110
54 x 1,5	150	150	110
76,1 x 2	170	210	170
88,9 x 2	190	260	190
108 x 2	200	320	280

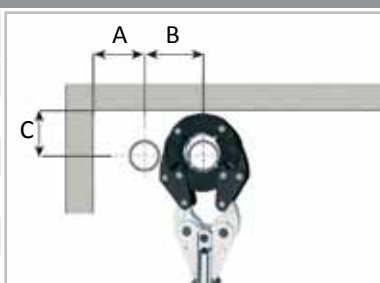


Figure 41 - Minimum distances for chains / collars

## 4.9 Thread or flange connections

Press fittings can be connected using normal trade threaded fittings in accordance with ISO 7-1 (thread standard DIN 2999) or ISO 228 (thread standard DIN 259) or with fittings made of stainless steel or non-ferrous metals.

When sealing threaded connections, no sealant containing chloride (for example teflon tapes) may be used.

The flanges available from the **Inoxpres** / **Steelpres** / **Marinepres** range can be connected to normal flanges at pressure stage PN 6 / 10 / 16. During installation, first the thread/flange connection must be completed, then the press connection.

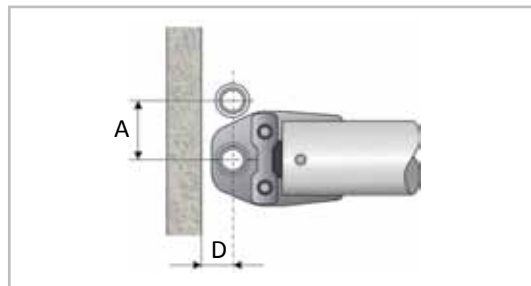


Figure 37 - Minimum distances and space requirements

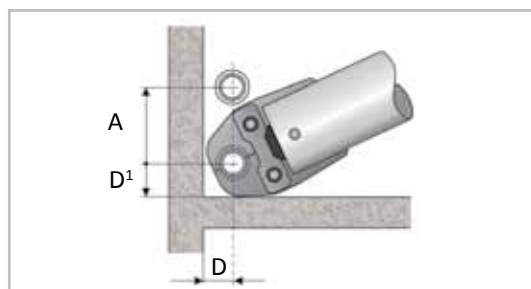


Figure 38 - Minimum distances and space requirements

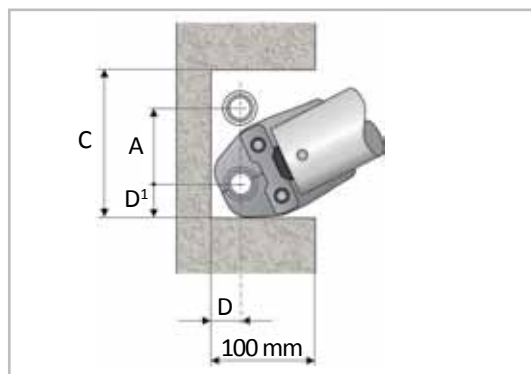


Figure 39 - Minimum distances and space requirements

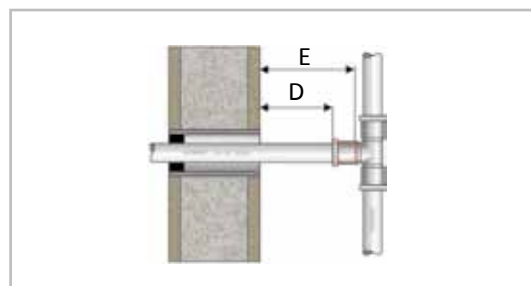


Figure 40 - Minimum distances and space requirements

# 5.0 Planning

## 5.1 Pipe fixing, distances between clamps

Pipe supports serve to fix the pipe to the ceiling or wall and should take up changes in length which result from temperature variations. Through the setting of fixed and sliding points the length variations in the pipe are steered in the required direction.

Pipe supports may not be mounted on fittings. Sliding supports must be so positioned that they do not prevent the piping from moving.

The maximum permitted support distances for **Inoxpres / Steelpres / Aespres / Marinepres** pipes are shown in table 15.

TABLE 15: MAXIMUM PERMITTED DISTANCES BETWEEN SUPPORTS

DN	Pipe outside diameter (mm)	Support distance in metres (m) DIN1988	Guideline (m)
10	12	1,25	1,50
12	15	1,25	1,50
15	18	1,50	1,50
20	22	2,00	2,00
25	28	2,25	2,50
32	35	2,75	2,50
40	42	3,00	3,00
50	54	3,50	3,50
65	76,1	4,25	4,00
80	88,9	4,75	4,50
100	108	5,00	5,00

## 5.2 Expansion compensation

Metal materials expand in different ways under the influence of heat.

The longitudinal change under various temperature differences in the pipe is shown for **Inoxpres, Steelpres, Aespres e Marinepres** in table 16. The longitudinal change can be compensated for through the correct setting of fixed and sliding points, the installation of compensators, s-bends, u-bends or expansion compensators and by the creation of sufficient expansion spaces. Typical installations are shown in figures 42 a - c.

TABLE 16: LENGTH VARIATIONS INOXPRES / STEELPRES / AESPRES / MARINEPRES

	L [m]	$\Delta t$ [°K]									
		10	20	30	40	50	60	70	80	90	100
INOXPRES	3	0,5	1,0	1,5	2,0	2,5	3,0	3,5	4,0	4,5	5,0
	4	0,7	1,3	2,0	2,6	3,3	4,0	4,6	5,3	5,9	6,6
	5	0,8	1,7	2,5	3,3	4,1	5,0	5,8	6,6	7,4	8,3
	6	1,0	2,0	3,0	4,0	5,0	5,9	6,9	7,9	8,9	9,9
	7	1,2	2,3	3,5	4,6	5,8	6,9	8,1	9,2	10,4	11,6
	8	1,3	2,6	4,0	5,3	6,6	7,9	9,2	10,6	11,9	13,2
	9	1,5	3,0	4,5	5,9	7,4	8,9	10,4	11,9	13,4	14,9
	10	1,7	3,3	5,0	6,6	8,3	9,9	11,6	13,2	14,9	16,5
	12	2,0	4,0	5,9	7,9	9,9	11,9	13,9	15,8	17,8	19,8
	14	2,3	4,6	6,9	9,2	11,6	13,9	16,2	18,5	20,8	23,1
	16	2,6	5,3	7,9	10,6	13,2	15,8	18,5	21,1	23,8	26,4
18	3,0	5,9	8,9	11,9	14,9	17,8	20,8	23,8	26,7	29,7	
20	3,3	6,6	9,9	13,2	16,5	19,8	23,1	26,4	29,7	33,0	
STEELPRES	3	0,36	0,72	1,08	1,44	1,80	2,16	2,52	2,88	3,24	3,60
	4	0,48	0,96	1,44	1,92	2,40	2,88	3,36	3,84	4,32	4,80
	5	0,60	1,20	1,80	2,40	3,00	3,60	4,20	4,80	5,40	6,00
	6	0,72	1,44	2,16	2,88	3,60	4,32	5,04	5,76	6,48	7,20
	7	0,84	1,66	2,52	3,36	4,20	5,04	5,88	6,72	7,56	8,40
	8	0,96	1,92	2,88	3,84	4,80	5,76	6,72	7,68	8,64	9,60
	9	1,08	2,16	3,24	4,32	5,40	6,48	7,56	8,64	9,72	10,80
	10	1,20	2,40	3,60	4,80	6,00	7,20	8,40	9,60	10,80	12,00
	12	1,44	2,88	4,32	5,76	7,20	8,4	10,08	11,52	12,96	14,40
	14	1,68	3,36	5,04	6,72	8,40	10,08	11,76	13,44	15,12	16,80
	16	1,92	3,84	5,76	7,68	9,60	11,52	13,44	15,36	17,28	19,20
18	2,16	4,32	6,48	8,64	10,80	12,96	15,12	17,28	19,44	21,60	
20	2,40	4,80	7,20	9,60	12,00	14,40	16,80	19,20	21,60	24,00	
AESPRES / MARINEPRES	3	0,5	1,0	1,5	2,0	2,6	3,1	3,6	4,1	4,6	5,1
	4	0,7	1,4	2,0	2,7	3,4	4,1	4,8	5,4	6,1	6,8
	5	0,9	1,7	2,6	3,4	4,3	5,1	6,0	6,8	7,7	8,5
	6	1,0	2,0	3,1	4,1	5,1	6,1	7,1	8,2	9,2	10,2
	7	1,2	2,4	3,6	4,8	6,0	7,1	8,3	9,5	10,7	11,9
	8	1,4	2,7	4,1	5,4	6,8	8,2	9,5	10,9	12,2	13,6
	9	1,5	3,1	4,6	6,1	7,7	9,2	10,7	12,2	13,8	15,3
	10	1,7	3,4	5,1	6,8	8,5	10,2	11,9	13,6	15,3	17,0
	12	2,0	4,1	6,1	8,2	10,2	12,2	14,3	16,3	18,4	20,4
	14	2,4	4,8	7,1	9,5	11,9	14,3	16,7	19,0	21,4	23,8
	16	2,7	5,4	8,2	10,9	13,6	16,3	19,0	21,8	24,5	27,2
18	3,1	6,1	9,2	12,2	15,3	18,4	21,4	24,5	27,5	30,6	
20	3,4	6,8	10,2	13,6	17,0	20,4	23,8	27,2	30,6	34,0	

### Linear expansion in general

$$\Delta L = L \times \alpha \times \Delta t$$

$\Delta L$  = linear expansion in mm

L = pipe length in m

$\alpha$  = linear expansion coefficient

**Inoxpres**  $\alpha = 0,0165$  mm / (m x °K)

**Steelpres**  $\alpha = 0,0120$  mm / (m x °K)

**Aespres / Marinepres**  $\alpha = 0,017$  mm / (m x °K)

$\Delta t$  = temperature difference in °K

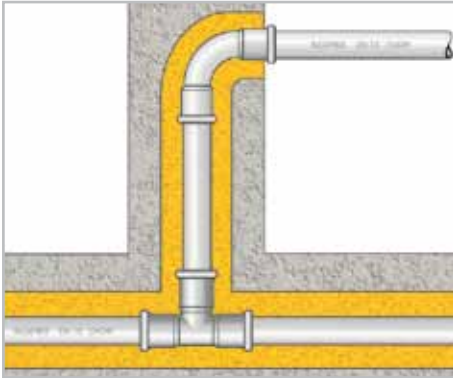


Figure 42a - Creation of expansion spaces

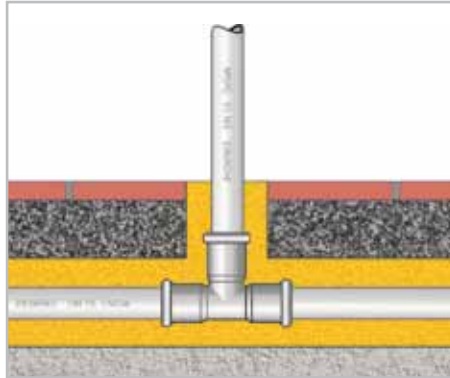


Figure 42b - Creation of expansion spaces

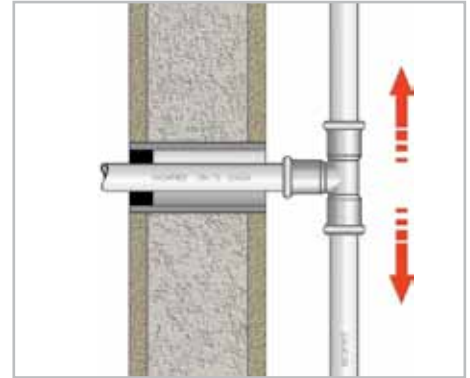


Figure 42c - Creation of expansion spaces

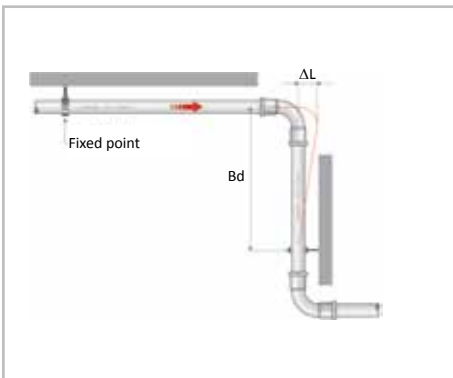


Figure 43 - Z-shaped Expansion reach ( Er )

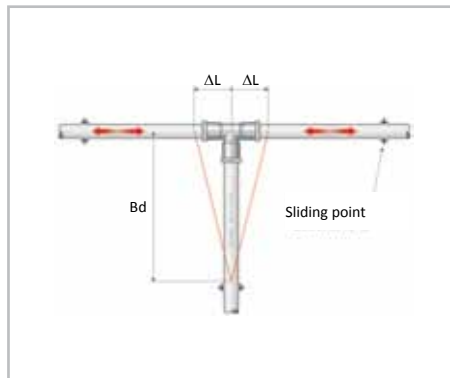


Figure 44 - Expansion compensation branch

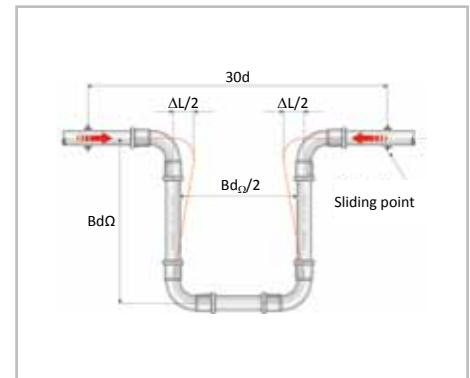


Figure 45 - U-bend  $Bd\Omega = Bd\Omega / 1,8$

**Calculation formula Z - bend and T - junction  
(figure 43 e 44)**

$$Bd = k \times \sqrt{(da \times \Delta L)} \text{ [mm]}$$

k = constant

**Inoxpres / Steelpres = 45**

**Aespres / Marinepres = 62**

da = outer diameter pipe in mm

ΔL = linear expansion in mm

**Calculation formula U bend  
(figura 45)**

$$Bd\Omega = k \times \sqrt{(da \times \Delta L)} \text{ [mm]} \text{ oppure}$$

$$Bd\Omega = Bd / 1,8$$

k = constant

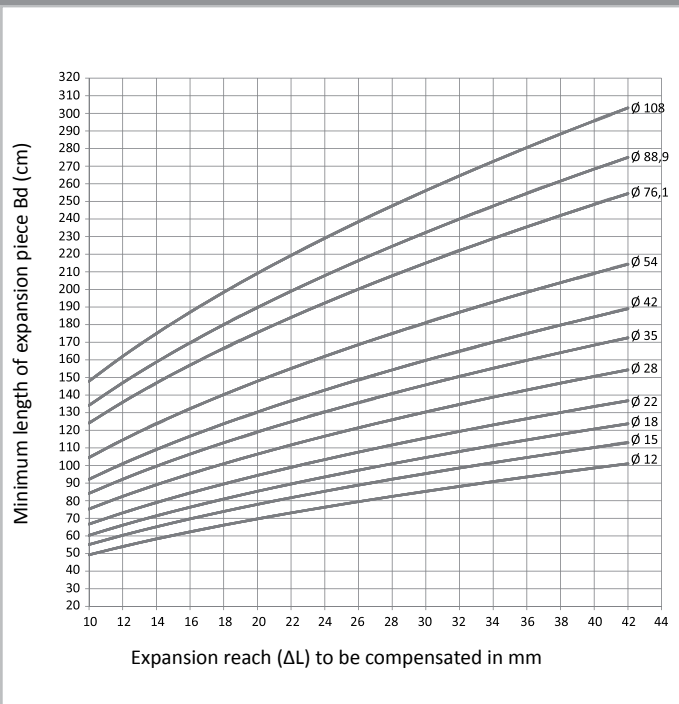
**Inoxpres / Steelpres = 25**

**Aespres / Marinepres = 34**

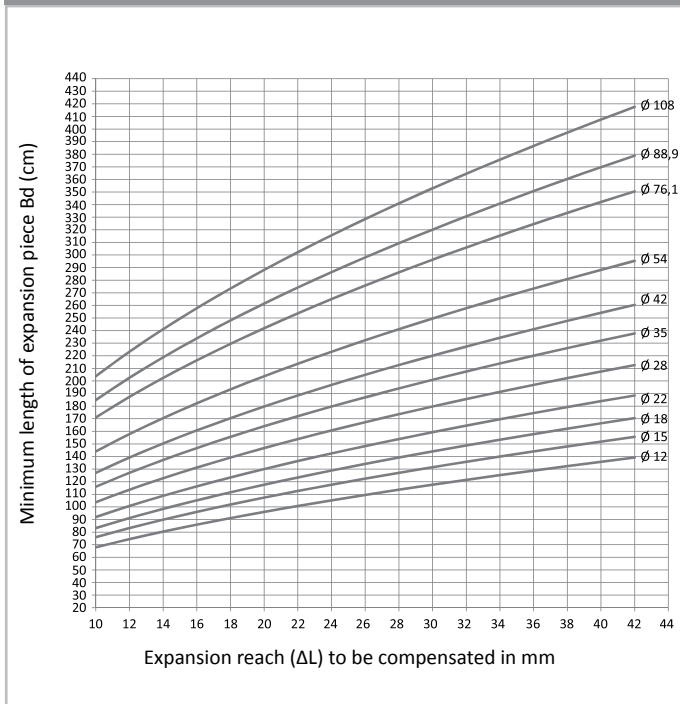
da = outer diameter pipe in mm

ΔL = linear expansion in mm

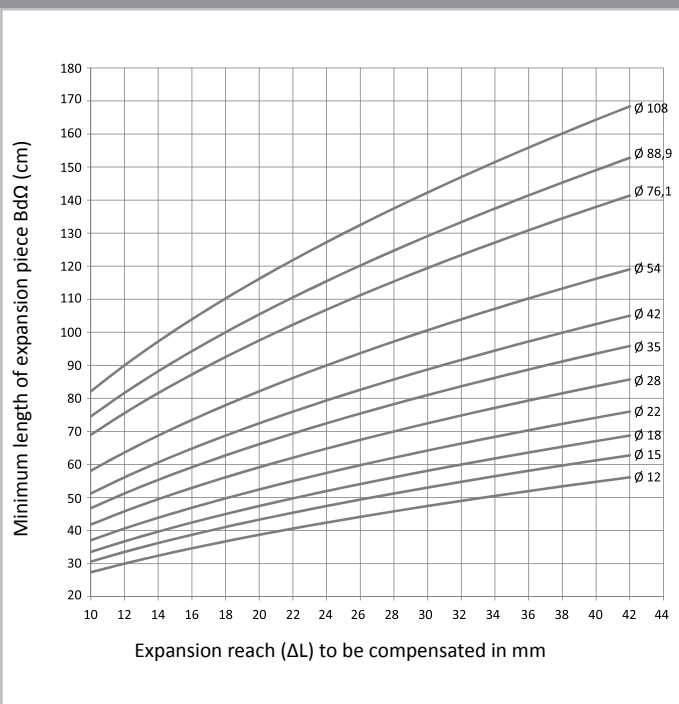
**TABLE 17: CALCULATION OF THE EXPANSION REACH (Bd) INOXPRES / STEELPRES**



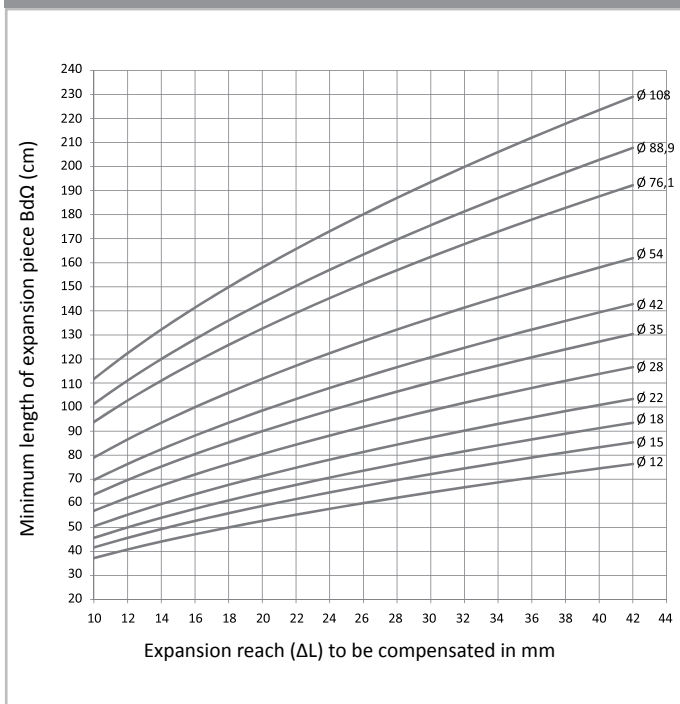
**TABLE 18: CALCULATION OF THE EXPANSION REACH (Bd) AESPRES / MARINEPRES**



**TABLE 19: EXPANSION PIECE FOR U-BEND (BdΩ) INOXPRES / STEELPRES**



**TABLE 20: EXPANSION PIECE FOR U-BEND (BdΩ) AESPRES / MARINEPRES**





### 5.3 Thermal emission

Depending on temperature difference, warm piping releases heat into the environment. The thermal emission from **Inoxpres / Steelpres / Marinepres** pipes can be seen in tables 21-22 and 23.

TABLE 21: THERMAL EMISSION FROM INOXPRES / STEELPRES PIPE ( W/m ) UNCOVERED											
d x s (mm)		ΔT TEMPERATURE DIFFERENCE (°K)									
I	S	10	20	30	40	50	60	70	80	90	100
-	12 x 1,2	3,7	7,5	11,2	14,9	18,6	22,4	26,1	29,8	33,5	37,3
15 x 1,0	15 x 1,2	4,7	9,3	14,0	18,6	23,3	28,0	32,6	37,3	41,9	46,6
18 x 1,0	18 x 1,2	5,6	11,2	16,8	22,4	28,0	33,6	39,2	44,8	50,4	55,9
22 x 1,2	22 x 1,5	6,8	13,7	20,5	27,4	34,2	41,0	47,9	54,7	61,5	68,4
28 x 1,2	28 x 1,5	8,7	17,4	26,1	34,8	43,5	52,2	60,9	69,6	78,3	87,1
35 x 1,5		10,9	21,8	32,7	43,5	54,4	65,3	76,2	87,1	98,0	108,8
42 x 1,5		13,1	26,1	39,2	52,3	65,3	78,4	91,4	104,5	117,6	130,6
54 x 1,5		16,8	33,6	50,4	67,2	84,0	100,8	117,6	134,4	151,2	168,0
76,1 x 2		23,7	47,3	71,0	94,7	118,4	142,0	165,7	189,4	213,1	236,7
88,9 x 2		27,7	55,3	83,0	110,6	138,3	165,9	193,6	221,2	248,9	276,6
108 x 2		33,6	67,2	100,8	134,4	168,0	201,6	235,2	268,8	302,4	336,0

External inlet-coefficient  $\alpha_e = 10 \text{ W}/(\text{m}^2 \times \text{°K})$

TABLE 22: THERMAL EMISSION FROM STEELPRES PIPE IN PP ( W/m ) COVERED											
S		ΔT TEMPERATURE DIFFERENCE (°K)									
d x s (mm)		10	20	30	40	50	60	70	80	90	100
12 x 1,2		3,7	7,5	11,2	15,0	18,7	22,5	26,2	30,0	33,7	37,5
15 x 1,2		4,6	9,1	13,7	18,2	22,8	27,3	31,9	36,5	41,0	45,6
18 x 1,2		5,4	10,7	16,1	21,5	26,8	32,2	37,6	42,9	48,3	53,7
22 x 1,5		6,4	12,9	19,3	25,8	32,2	38,7	45,1	51,5	58,0	64,4
28 x 1,5		8,1	16,1	24,2	32,2	40,3	48,4	56,4	64,5	72,5	80,6
35 x 1,5		9,9	19,9	29,8	39,8	49,7	59,7	69,6	79,6	89,5	99,5
42 x 1,5		11,8	23,7	35,5	47,3	59,2	71,0	82,8	94,7	106,5	118,3
54 x 1,5		15,1	30,1	45,2	60,3	75,3	90,4	105,5	120,5	135,6	150,7
76,1 x 2		21,0	42,0	63,1	84,1	105,1	126,1	147,1	168,1	189,2	210,2
88,9 x 2		24,5	48,9	73,4	97,9	122,3	146,8	171,3	195,7	220,2	244,7
108 x 2		29,6	59,2	88,8	118,5	148,1	177,7	207,3	236,9	266,5	296,1

External inlet-coefficient  $\alpha_e = 9 \text{ W}/(\text{m}^2 \times \text{°K})$

The thermal emission of **Marinepres** pipes are shown in the following table.

TABLE 23: THERMAL EMISSION FROM MARINEPRES ( W/m ) COVERED										
M d x s (mm)	ΔT TEMPERATURE DIFFERENCE (°K)									
	10	20	30	40	50	60	70	80	90	100
15x1	5,1	10,2	15,4	20,5	25,6	30,7	35,9	41,0	46,1	51,2
18x1	6,1	12,3	18,4	24,6	30,7	36,9	43,0	49,2	55,3	61,5
22x1	7,5	15,0	22,6	30,1	37,6	45,1	52,6	60,1	67,7	75,2
28x1,5	9,6	19,1	28,7	38,3	47,8	57,4	67,0	76,5	86,1	95,7
35x1,5	12,0	23,9	35,9	47,8	59,8	71,8	83,7	95,7	107,6	119,6
42x1,5	14,4	28,7	43,1	57,4	71,8	86,1	100,5	114,8	129,2	143,5
54x1,5	18,5	36,9	55,4	73,8	92,3	110,8	129,2	147,7	166,1	184,6
76,1x2	26,0	52,0	78,0	104,0	130,1	156,1	182,1	208,1	234,1	260,1
88,9x2	30,4	60,8	91,2	121,6	151,9	182,3	212,7	243,1	273,5	303,9
108x2,5	36,9	73,8	110,7	147,6	184,6	221,5	258,4	295,3	332,2	369,1

External inlet-coefficient  $\alpha_e = 11 \text{ W}/(\text{m}^2 \times \text{°K})$

## 5.4 Insulation

To minimise the unwanted thermal emission from piping, the minimum insulation thicknesses should be maintained. Furthermore, national regulations should be observed as necessary.

In addition, insulating the piping can prevent water condensing, outside corrosion, unwanted warming of the medium being transported and unwanted noise production and transmission. Cold water pipes must be insulated so that the potable water quality is not affected through warming.

For the insulation of **Inoxpres** pipes only insulation materials which contain less than 0.05% water soluble chloride ions may be used. Insulation materials of AS quality in accordance with AGI-Q135 are well below this value and thus suitable for use with **Inoxpres**.

Guideline values for minimum insulation material thickness are shown in table 24.

TABLE 24: MINIMUM INSULATION MATERIAL THICKNESS FOR PIPING

Piping cold water		Piping hot water	
Type of installation	Insulation material thickness in mm $\lambda = 0,040 \text{ W/ (m x } ^\circ\text{K)}$	OD in mm	Insulation material thickness in mm $\lambda = 0,040 \text{ W/ (m x } ^\circ\text{K)}$
Piping uncovered, not heated (i.e. cellar)	4	12	20
Piping uncovered without hot water lines	9	15	20
Piping in channel, no hot water lines	4	18	20
Piping in channel, along with hot water	13	22	20
Piping in wall slit, risers	4	28	30
Piping in wall gap, along with hot water	13	35	30
Piping on concrete floor	4	42	40
		54	50
		76,1	65
		88,9	80
		108	100

### 5.5 Soundproofing (DIN 4109)

Noise in potable water and heating installations is produced mainly in tap fittings and sanitary items. The piping can then transfer this sound to the building itself, subsequently producing the irritating airborne sound. By using soundproofed holders, and by soundproofing the piping, the sound transfer can be greatly reduced.

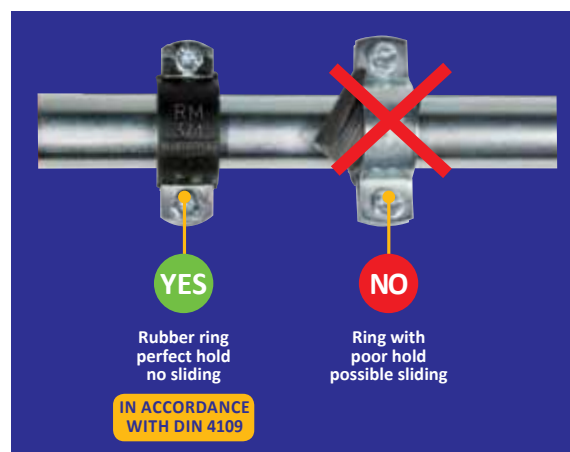


Figure 46 - Rubber ring PRATIKO in conformity with DIN 4109 (Unit RM Series 355/G - 351/G - 555/G - 156/G)

### 5.6 Fire prevention

Inoxpres/Steelpres/Aespres/Marinepres pipes are classed as a non-flammable material in building material class A in accordance with DIN 4102-1. Steelpres pipes with PP coating are classed as a non-flammable dripping material in building material class B2 in accordance with DIN 4102-1. Further national requirements in terms of fire prevention are most effectively fulfilled by use of fire-retarding sealing techniques.

## 5.7 Potential equalisation

According to DIN VDE 0100, all parts of metallic water and gas piping which can conduct electricity have to be included in the main potential equalisation of a building.

**Inoxpres, Steelpres, Aespres** and **Marinepres** are conductive systems and must therefore be included in the potential equalisation.

The responsibility for this work lies with the persons installing the electrical system.

## 5.8 Dimensioning

The objective of pipe system calculation is to achieve perfect functioning of the system with economical pipe diameters.

The following regulations should particularly be observed:

Potable water installations:

- DIN 1988 part 300
- DVGW worksheets 551 - 553
- VDI guideline 6023

Heating installations:

- DIN 4751

Gas installations:

- TRGI / TRF

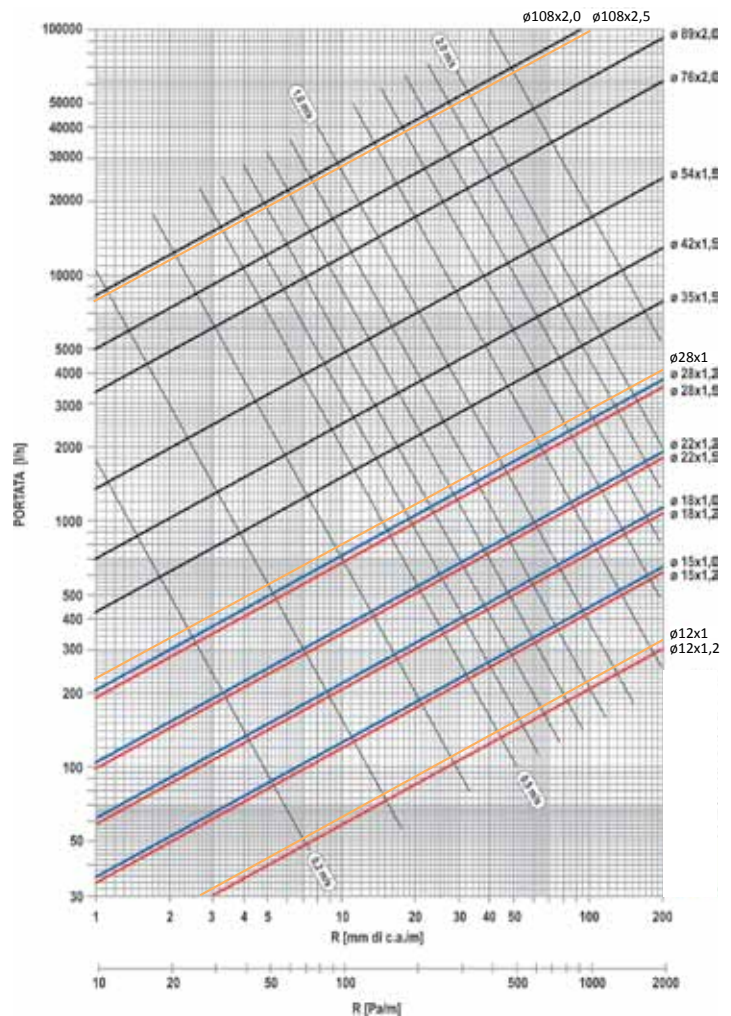
The pipe friction pressure drop for **Inoxpres / Steelpres / Aespres / Marinepres** piping is shown in table 25.

## 5.9 Trace heating

When trace heating is used, the temperature of the pipe inside wall may not exceed 60° centigrade.

For thermal disinfection purposes a temporary temperature increase to 70° centigrade (1 hour per day) is permitted. Pipes which are fitted with drainage valves or back-flow prevention valves must be protected against excessive pressure increase resulting from warming. The fitting instructions issued by trace heating manufacturers are to be followed exactly.

TABLE 25: PIPE FRICTION PRESSURE DROP FOR INOXPRES / STEELPRES / AESPRES / MARINEPRES



## 6.0 Start-up

The following guidelines have to be taken into account in Germany when carrying out the start-up and pressure testing:

Potable water systems:	<b>DIN 1988</b> part 100 <b>ZVSHK</b> worksheet "Tightness Testing of Potable Water Piping with Compressed Air, Inert Gas or Water" (Dichtheitsprüfung von Trinkwasser-Installationen mit Druckluft, Inertgas oder Wasser) <b>BHKS</b> rule 5.001 <b>VDI 6023</b>
Heating systems:	<b>DIN-VOB 18380</b>
Gas systems:	<b>DVGW G 600</b> <b>TRGI</b> (technical regulations for gas installation) <b>TRF</b> (technical regulations for liquid gas)

### 6.1 Pressure testing

In the case of piping for potable water, the pressure testing (see page 46) has to be carried out in accordance with DIN EN 806 and DIN 1988 part 100, using filtered potable water. The potable water system must stay completely filled until taken into operation. The presence of remaining quantities of water in the piping greatly increases the danger of corrosion in metal piping (three phase corrosion). This effect is avoided keeping the system completely filled with water up to commissioning function otherwise the risk of corrosion would greatly increase due to the residual water remaining in the system (in the case of metal exposed to both water and air). If a potable water system is not used soon after the pressure testing, then the pressure testing should be carried out using compressed air or inert gases.

### 6.2 Flushing the system and starting up

According to DIN 1988 Part 100, EN 1717 and VDI 6023 is to prevent corrosion in potable water pipes, rinsing with a water-air mixture is required. Normally the potable water system is flushed through with a water-air mixture so as to avoid corrosion. From a corrosion point of view, **Inoxpres** potable water installations, however, only require simple flushing with filtered potable water, since thanks to the special connection technique no additional substances such as cutting oil and fluids are required.

For hygienic reasons a high standard system flushing procedure may be required (for example, hospital, care centre). In this situation the ZVSHK / BHKS data sheets should be applied. Stagnant water from the house supply piping must not access the potable water installation. The pressure testing, flushing and start-up of the system have to be documented. The system operator has to be instructed with regard to correct working practices.

### 6.3 Regular checks

Maintenance of the potable water quality can only be assured by regular monitoring of the system; for this reason the operator should be offered a maintenance contract.

## 7.0 Corrosion

### 7.1 Inoxpres

The corrosion behaviours of the Inoxpres press fitting system is dictated by the material used. The corrosion behaviour of **Inoxpres** press fitting systems is determined by the Cr-Ni -Mo steel with material no 1.4404 (AISI 316 L) and Cr-Mo no 1.4521 (AISI 444). The following properties result from it:

- suitability for all potable water in accordance with German drinking water regulations;
- absolutely hygienic;
- suitable for mixed installations;
- suitable for treated, softened and desalinated water.

#### 7.1.1 Bimetal corrosion (mixed installation) - DIN 1988 part 200

**Inoxpres** can be combined with all non-ferrous metals (copper, brass, red brass) in one mixed installation without taking flow rules into account.

Bimetal corrosion can only appear on zinc-coated components if they are in direct contact with **Inoxpres** components. Bimetal corrosion can be prevented by installing a spacing section made of non-ferrous material > 80 mm (for example a shut-off valve).

#### 7.1.2 Crevice, pitting corrosion (three phase corrosion)

Unacceptably high chloride content in water and building materials can lead to corrosion traces on stainless steels. Crevice or pitting corrosion can only occur in water with a chloride content which is above the levels of the potable water legislation (max. 250 mg/l). The chloride content of the potable water can be obtained from the local water company. **Inoxpres** components are in danger of crevice or pitting corrosion if:

- following pressure testing the system is emptied and some water remains in the piping which is open to the atmosphere. The slow evaporation of the remaining water may lead to an unacceptable increase in the chloride content level and thus initiate pitting (three phase corrosion) at the 'water-material-air' interface. If the system cannot be put into operation shortly after pressure testing with water, then the pressure testing should be carried out using air. See section 6.1 Pressure testing for more details;
- an increase in the water temperature is caused from the outside via the pipe wall (for example electrical trace heating). There may be an increase in chloride ions in the deposits which form on the inside pipe wall during this type of operation. See section 5.9 Trace heating for more information;

- non- approved sealants or plastic tapes containing chloride are used. The transfer of chloride ions from sealant materials to the potable water can lead to local increase in chloride and thus to crevice corrosion. See section 4.9 Thread or flange connections for more information;
- if the material is sensitised through incorrect heating. Any heating of the material which leads to tarnishing changes the microstructure of the material and can lead to intercrystalline corrosion. Hot bending or cutting the pipes using a grinder is not permitted.

### 7.1.3 Outside corrosion

**Inoxpres** components are in danger of outside corrosion if:

- non-approved insulation materials or lagging are used. The only insulation materials or lagging which are acceptable are those with AS quality in accordance with AGI Q 135 with a percent in weight of max. 0.05% in water soluble chloride ions;
- **Inoxpres** is subjected to contact with gases or fumes containing chloride (e.g., galvanising shops, swimming pools);
- **Inoxpres** comes into contact with building materials which contain chloride, together with dampness;
- a concentration of chloride develops through water evaporation on warm piping (swimming pool atmosphere).

**Inoxpres** components can be protected against outside corrosion by means of:

- closed cell insulation material or lagging;
- coating;
- painting;
- avoiding installation in areas where the risk of corrosion is higher (e.g., floor without cellar space underneath).

The planner or the fitter carries the responsibility for the selection and installation of the corrosion protection measures.

## 7.2 Inoxpres Gas

The corrosion behaviour of **Inoxpres Gas** press fitting systems is defined by the material used; Cr-Ni-Mo steel with the material number 1.4404 (AISI 316 L) which has the following characteristics:

- suitable for on-wall and in-wall installation;
- suitable for installation under screed.

In the case of **Inoxpres Gas** components no further corrosion protection is normally required.

### 7.2.1 Outside corrosion

**Inoxpres Gas** components are in danger from outside corrosion if:

- non-approved insulation materials or lagging are used. Only those insulation materials and lagging are approved which are of AS quality in accordance with AGI Q 135, having a percentage weight of max.0.05% in water soluble chloride ions;
- **Inoxpres Gas** comes into contact with gases or fumes containing chloride (e.g., galvanising shops, swimming pools);
- **Inoxpres Gas** comes into contact with building materials which contain chlorides, under the influence of dampness;
- according to VDE (German Association for electrical, Electronic & Information Technologies), **Inoxpres Gas** must be inserted in the main equipotential bonding (connection to be carried out by skilled VDE personnel).

**Inoxpres Gas** components can be protected against outside corrosion by means of:

- installing closed cell insulation materials or lagging;
- coating;
- painting;
- avoiding installation in areas where the risk of corrosion is higher (e.g., floors without cellar space below).

The planner or the fitter carries the responsibility for the selection and installation of the corrosion protection measures.



## 7.3 Steelpres

The corrosion behaviour of the **Steelpres** press fitting system is defined by the unalloyed carbon steel used and is suitable for:

- closed heating systems;
- closed cooling and refrigeration circuits;
- compressed air system;
- closed solar cycles.

### 7.3.1 Inside corrosion

In closed heating/cooling systems there is generally no air and thus no danger of corrosion. The small quantity of oxygen which enters the system when it is being filled poses no problems since it reacts with the entire inside metallic surface of the system and is reduced in the process.

In addition, oxygen is released when heating water is heated, and is released through valves installed in the system.

Oxygen increase can also be prevented by the use of oxygen binding materials. However, these must be approved by RM beforehand. When filling the systems, the pH value must not fall below 7.2 (drinking water).

### 7.3.2 Bimetal corrosion

In heating/cooling installations executed with **Steelpres** it is possible to insert single fittings made from different raw materials, including **Inoxpres** components, in any order.

Closed circuit networks entirely executed with **Steelpres** (pipes and fittings) must be separated from stretches made with **Inoxpres** (pipes and fittings) through the use of shut-off valves or bronze nipples (> 80 mm) for protection against corrosion.

### 7.3.3 Outside corrosion

**Steelpres** piping and fittings are protected against outside corrosion by means of a galvanic zinc coating. If **Steelpres** pipes (12-108 mm OD) are also PP coated, then this provides additional corrosion protection. Nevertheless, over a longer period of time dampness may lead to outside corrosion on **Steelpres** components.

**Steelpres** components can be protected against outside corrosion by means of:

- corrosion protection binding;
- closed cell insulation or lagging;
- coating;
- paint;
- avoiding installation in areas where corrosion is more likely to occur (for example on floors which do not have a space underneath).

**Steelpres** components should not be subjected to permanent dampness. For this reason felt lagging or coverings are not approved, since they retain water.

The planner or the fitter carries the responsibility for the selection and installation of the corrosion protection measures.

## 7.4 Aespres / Marinepres

Corrosion behaviour of the **Aespres / Marinepres** systems depends on the main material quality - copper - consisting of alloys of the two systems to be pressed.

The **Aespres** system stands out for the following features:

- Suitable for drinkable waters;
- Hygienically safe as copper and its alloys prevent bacteria proliferation on their surfaces (bacterial-static action);
- Suitable for mixed installations;
- Suitable for treated, softened and completed desalted waters;

The **Marinepres** system is mainly suggested for application where chlorides are present, as in the case of saline water transportation.

### 7.4.1 Bimetal corrosion (mixed installation)

**Aespres** and **Marinepres** systems can be matched with different materials, ferrous and not. It is important to pay attention to the ratio between cathode and anode areas as not to lead to conditions favourable to corrosion. Copper in fact in general is under cathode conditions and can lead to the component corrosion. In the case of open loop installations, as to avoid corrosion in mixed installations, it is important to comply with the following general rules:

- consider the water flow, install copper and copper alloys downstream the installations made with ferrous materials;
- add non ferrous separators > 80 mm (ex. Check valves, bronze or brass joints) between the two sections of different materials.

### 7.4.2 Perforating corrosion

The dotted corrosion (pin-head tube holing), depends on the growing water pollution in the last decades strictly linked to industrialization. Such an issued was totally solved with the introduction of copper tubes with no carbon residues.

### 7.4.3 Outside corrosion

Copper and copper alloys stand the outside corrosion risk and nothing is to be done at the protection level, while in the presence of sulphurs, nitrites and ammonia, tubes are to be protected. It is necessary to protect **Aespres/Marinepres** details against external corrosion as follows:

- closed cell insulators;
- coverings;
- paintings;
- avoid laying in corrosive ambiente (for ex. Flooring in direct contact with the soil).

The designer or installer is liable for the selection and enforcement of any anti-corrosion protection.

## 7.5 Aespres Gas

The high resistance fo **Aespres Gas** joint to outside corrosion does not require any additional anti-corrosion standard protection.

According to VDE (German Association for electrical, Electronic & Information Technologies), **Aespres Gas** must be inserted in the main equipotential bonding (connection to be carried out by skilled VDE personnel).

**Aespres Gas** components can be protected against outside corrosion by means of:

- installing closed cell insulation materials or lagging;
- coating;
- painting;
- avoiding installation in areas where the risk of corrosion is higher (e.g., floors without cellar space below).

The planner or the fitter carries the responsibility for the selection and installation of the corrosion protection measures.

TABLE 26: MATERIAL COMPATIBILITY - TWO-METAL MATCHING

		Materials	PIPES						
			Stainless Steel		Carbon Steel	Copper		Cupronichel	
			Open circuit	Close circuit	Close circuit	Open circuit	Close circuit	Open circuit	Close circuit
Inoxpres	FITTINGS	Stainless Steel			1)				
Steelpres		Carbon Steel		3)			2)		2)
Aespres		Copper-Bronze			1)				
Marinepres		Cupronichel			1)				

Accepted matching

Attention to the enclosed notes

Forbidden matching

**NOTES:**

- 1) single joints in stainless steel/copper/copper-nickel are accepted, inside a carbon installations, while any net in stainless steel/copper/copper-nickel is to be separated from carbon with a non ferrous transition separator;
- 2) any carbon net is to be separated from stainless steel with a non ferrous transition separator any carbon net is to be separated from carbon with a non ferrous transition separator (ex. valve, bronze/brass joints);
- 3) any kind of carbon steel piping's stretch must be separated from inox with a kind of non-ferrous transition's spacer (ex. valve, bronze/brass joints).

Compatibilities in the table refer to the water transportation under standard conditions (PN 16 bar, T 20°C). The table is not binding: as for corrosion, simply assess surfaces of the different components and the real operating conditions.

## 8.0 Disinfection

The disinfection of potable water systems may be required in case:

- germs are detected;
- of increased hygienic requirements.

The Inoxpres press fitting system must be disinfected using hydrogen peroxide (H<sub>2</sub>O<sub>2</sub>) in accordance with DVGW worksheet W 291 - disinfection of water supply systems.

If disinfection is carried out using chlorine, then the prescribed concentrations and disinfection periods shown in the overview below must be strictly adhered to.

Chlorine content (free chlorine)	50 mg/l	100 mg/l
Disinfection period	max. 24 h	max. 16 h

Following disinfection with chlorine the system must be flushed thoroughly with potable water until a residue-free chlorine value of < 1 mg/l in the entire potable water system is reached.

Due to the danger of corrosion through incorrect disinfection measures using chlorine, we do recommend either disinfection using hydrogen peroxide or thermal disinfection.

Disinfection measures should always be carried out by experienced, trained professional staff only.

## 9.0 Hygiene

The implementation of the new potable water regulations (TrinkwV) places great emphasis on the hygiene-conscious planning, realisation and operation of potable water systems. It is necessary to put particular attention to the to the applicable regulations in each country where the installation is done, with particular reference to aspects of plant level, sanitizing and maintenance.

The following measures are suitable both for the assurance of the required potable water quality and the minimising of the danger of germs occurring:

- material choice in accordance with DIN 50930-6;
- when calculating the pipe network, select the smallest possible widths;
- hygiene-conscious system layout (looped systems); Are to avoid “dead branches” and branches that appear to be unidirectional critical from the point of view of hygiene;
- no stagnation piping (drainage pipes, collective safety devices);
- single safety devices are preferable;
- separate extinguisher systems from potable water network;
- ensure target temperature is reached in entire potable water heater;
- install circulation piping with dimensions are in accordance with W 553;
- verify the possibility of inserting traits bypass on the main line in cases of complex lines, so that it is possible to make a thorough washing without stopping the system thus increasing the effectiveness of the disinfection treatment;
- protect cold water piping against heating;
- hygiene-conscious handling of materials;
- document the piping system;
- maintain the system regularly (maintenance contract).

# 10.0 Form Request of compatibility

## DATA OF THE APPLICANT

Applicant / Company \_\_\_\_\_  
 Name \_\_\_\_\_  
 Address \_\_\_\_\_  
 Contact person \_\_\_\_\_  
 Date \_\_\_\_\_

## DATA OF THE PROJECT

Description \_\_\_\_\_  
 Set-up of the system \_\_\_\_\_  
 Pipe diameter \_\_\_\_\_  
 Design manager \_\_\_\_\_  
 Specification \_\_\_\_\_

## SYSTEM FOR WHICH COMPATIBILITY IS REQUESTED

Inoxpres <input type="checkbox"/>	Steelpres <input type="checkbox"/>	Inoxpres Gas <input type="checkbox"/>	Aespres <input type="checkbox"/>
Tube 1.4404 (316L) <input type="checkbox"/>	Pipe of gal./internally black (316/005) <input type="checkbox"/>	Tube 1.4404 (316L) <input type="checkbox"/>	Copper tube <input type="checkbox"/>
Tube 1.4521 (444) <input type="checkbox"/>	Pipe of gal./internally gal. (316/002) <input type="checkbox"/>	Aespres Gas <input type="checkbox"/>	Marinepres <input type="checkbox"/>
	Pipe of gal./internally black + PP coating (316/003) <input type="checkbox"/>	Copper tube <input type="checkbox"/>	Copper-nickel tube <input type="checkbox"/>

## MEDIUM WHOSE COMPATIBILITY NEEDS TO BE REVIEWED

Attachments	Technical data sheet <input type="checkbox"/>
	Safety sheet <input type="checkbox"/>
	Chemical analysis <input type="checkbox"/>

Treatment of systems (e.g. cleaning, anti-corrosion, foil, etc.) \_\_\_\_\_

## SYSTEM

Description/working environment \_\_\_\_\_

## OPERATING CONDITIONS

Temperature	min _____ °C	max _____ °C
Pressure	min _____ Barg	max _____ Barg
PH	min	max
Medium proportion	% min	% max

## OTHERS SUBSTANCES

Type of cycle	Open <input type="checkbox"/>	Closed <input type="checkbox"/>
Installation	Outside closed spaces <input type="checkbox"/>	Inside closed spaces <input type="checkbox"/>

# 11.0 Pressure test protocol

## 11.1 Pressure test protocol for drinking water systems in "wet conditions"

For Inoxpres / Aespres press fitting systems

**Project / Construction** \_\_\_\_\_

**Contractor / Representative** \_\_\_\_\_

**Project / Representative** \_\_\_\_\_

**Material** \_\_\_\_\_

Potable water temperature \_\_\_\_\_ °C

Room temperature \_\_\_\_\_ °C

- The system must be filled with filtered and deaerated water
- Only the press system will be checked (Tanks, valves, etc. must be separated)

### Leakage test

- After the initial filling a waiting period of at least 30 minutes for temperature equilibration will be observed
- The max. test pressure during the leakage test is of **6 bar**
- Pressure drop during the leak test
- Test accuracy of the pressure gauge 0,1 bar

### System pressure test

- Test pressure is of at least **12 bar**
- Selected test pressure \_\_\_\_\_ bar
- Start of test \_\_\_\_\_ Clock test period (45 minutes min.) \_\_\_\_\_ hours
- Pressure drop during the pressure test

### Comments

**A proper assessment has been done!**

Place \_\_\_\_\_

Date \_\_\_\_\_

\_\_\_\_\_  
Client signature

\_\_\_\_\_  
Contractor signature

## 11.2 Pressure test protocol for hot water heating systems

For Inoxpres / Steelpres / Aespres press fitting systems

**Project / Construction** \_\_\_\_\_

**Contractor / Representative** \_\_\_\_\_

**Project / Representative** \_\_\_\_\_

**Material** \_\_\_\_\_

Medium Potable water temperature \_\_\_\_\_ °C      Room temperature \_\_\_\_\_ °C

- The system must be filled with filtered and deaerated water according to DIN EN 12828.
- Only the press system will be checked (Tanks, valves, etc. must be separated)

### Test pressure

Test pressure to VOB part C, DIN 18380, according to the pressure of the safety valve

Selected test pressure \_\_\_\_\_ bar

Start of the test \_\_\_\_\_ Clock      test period \_\_\_\_\_ hours

### Leakage test

- After the initial filling a waiting period observed of at least 30 minutes for temperature equilibration will be observed
- Pressure drop during the leakage test
- Test accuracy of the pressure gauge 0,1 bar

### Comments

**A proper assessment has been done!**

Place \_\_\_\_\_

Date \_\_\_\_\_

\_\_\_\_\_  
Client signature

\_\_\_\_\_  
Contractor signature

## 11.3 Pressure test protocol for potable water with compressed air

For Inoxpres / Aespres press fitting systems

**Project / Construction** \_\_\_\_\_

**Contractor / Representative** \_\_\_\_\_

**Project / Representative** \_\_\_\_\_

**Material** \_\_\_\_\_

Potable water temperature \_\_\_\_\_ °C      Room temperature \_\_\_\_\_ °C

- The installation must be tested according to DIN1988-100 and VDI6023 with oil-free compressed air, nitrogen or carbon dioxide and then subsequently drained.
- Only the press system will be checked (tanks, valves, etc. must be separated).

### Leakage test

- After the initial filling a waiting period observed of at least 120 minutes for temperature equilibration will be observed
- The max. test pressure during the leakage test is of **150 mbar**
- Pressure drop during the leakage test
- Test accuracy of the pressure gauge 0,01 bar

### System pressure test

- For nominal sizes <= DN50 maximum **3 bar**
- For nominal sizes DN50-DN100 maximum **1 bar**
- Selected test pressure \_\_\_\_\_ bar
- Start of the tes \_\_\_\_\_ Clock      test period (minim 45 minuts) \_\_\_\_\_ hours
- Pressure drop during the pressure test

### Comments

**Both signatures are required for a properly conducted test!**

Place \_\_\_\_\_

Date \_\_\_\_\_

\_\_\_\_\_  
Client signature

\_\_\_\_\_  
Contractor signature



## 12.0 Guarantee

Raccorderie Metalliche S.p.A. - below RM - accepts the following liability towards the installation company for the **Inoxpres, Steelpres, Aespres, Marinepres** press fitting systems manufactured by RM, referred to below as products, within the framework of those applications approved by RM.

If the installing company damage only depends on construction, material and production manufacturing defects, on condition that they were correctly used, in case the real defect is detected, RM is liable for any damage compensation as follows:

- 1) possible damages to people/things, provoked by RM products, maximum € 2,500,000.00 (two million and five hundred thousand euro);
- 2) the “recovery and replacement” guarantee as for the installed material includes:
  - new product supply under perfect conditions;
  - cost born for any disassembly and reassembly;
  - cost born for the recovery of the building under its original conditions;
  - damage compensation up to maximum Euro 150,000.00 (one hundred and fifty thousand euro).

The liability of RM begins from the time of installation of the product and ends at the latest 5 years after handover of the installation to the customer of the installation company.

A precondition for the liability of RM is furthermore that:

- the installation company respects and follows those installation, assembly and pressure test regulations which are valid at the time of installation, in particular all limitations of usage, in accordance with the contents of this Technical handbook;
- the installation has been carried out by qualified installers;
- only components and equipment indicated on the Technical Handbook have been used.

The warranty does not cover any defects arising from faulty design, poor installation or inadequate maintenance.

The warranty of the pressing tools press is:

- 24 months from the date of production;
- 12 months from the date of purchase of the installer.

The warranty is valid if the serial number of the purchased equipment is indicated on invoice.

In the event of a damage event, the installation company is obliged to inform RM without delay as to the nature and scope of the damage event, and to give RM the opportunity to inspect the site of the damage event. The supposedly faulty products are to be made available to RM so that the company can trace the cause of any faults. Italian law applies in case of interpretation of this guarantee declaration.











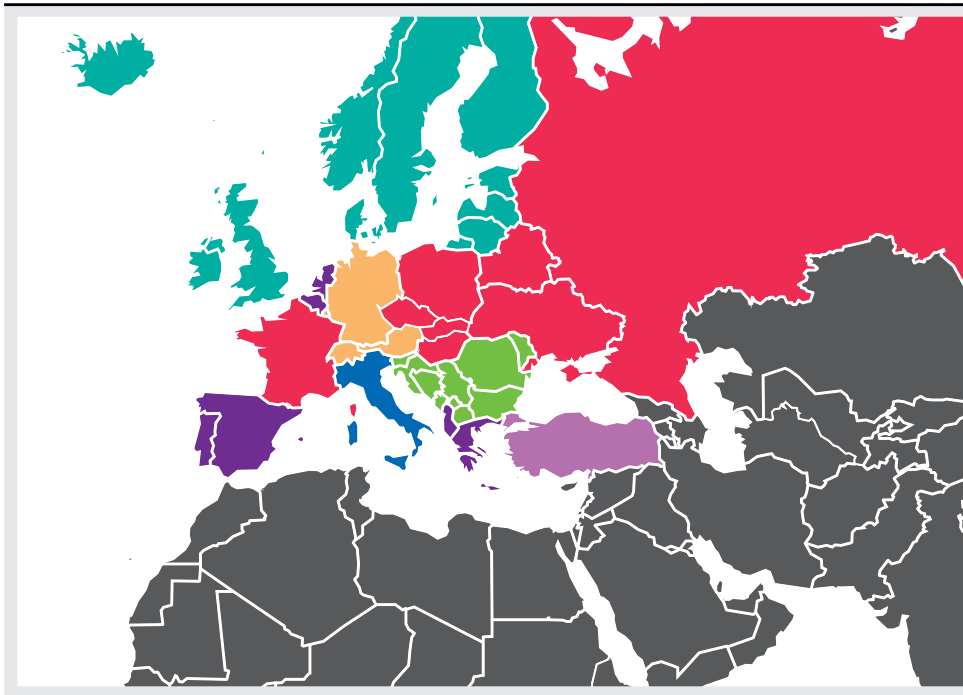












**SALES DIRECTOR**

**Guido CECCARDI**  
 Tel. +39 0376 96001  
 guido.ceccardi@racmet.com

**AREA SALES MANAGER**

**France - Poland - Russia  
 Ukraine - Belarus  
 Czech Republic  
 Slovak Republic  
 Hungary**

**Roberto PEREZ**  
 Tel. +39 0376 960122  
 Mobile +39 344 0961187  
 roberto.perez@racmet.com

**AREA SALES MANAGER**

**Germany - Austria  
 Switzerland - Luxembourg**

**Francesco GUANZINI**  
 Tel. +39 0376 960285  
 Mobile +39 335 7371662  
 francesco.guanzini@racmet.com

**AREA SALES MANAGER**

**Denmark - Finland - Norway  
 Sweden - Estonia - Latvia  
 Lithuania - Iceland  
 Great Britain - Ireland**

**Paolo IMPERIALE**  
 Tel. +39 0376 960259  
 Mobile +39 344 0958857  
 paolo.imperiale@racmet.com

**AREA SALES MANAGER**

**Spain - Portugal - Albania - Greece  
 Belgium - Netherlands**

**Michele SPERI**  
 Tel. +39 0376 96001  
 michele.speri@racmet.com

**AREA SALES MANAGER**

**Turkey**

**Fabio PORZIONATO**  
 Tel. +39 0376 96001  
 Mobile +39 344 1171456  
 fabio.porzionato@racmet.com

**OTHER COUNTRIES**

**Guido CECCARDI**  
 Tel. +39 0376 96001  
 guido.ceccardi@racmet.com

**RACCORDERIE METALLICHE**

**FRANCE**  
**Frédéric DEVAUX**  
 Responsable des ventes France  
 Mob. +33 698565339  
 frederic.devaux@racmet.com

**Sales partner**

**DEUTSCHLAND**

**Horst HAGEBOEKE**  
 Linden Str., 41  
 D-32312 Lübbecke  
 Tel. +49 (0) 5741 370180  
 Fax +49 (0) 5741 370182  
 Mobile +49 (0) 170 204 2100  
 industrie@hageboeke.com

**ÖSTERREICH**

**Fritz POLLETIN**  
 Amraser Strasse, 56  
 6020 Innsbruck  
 Tel. / Fax +43 (0) 512 393970  
 Mobile +43 (0) 664 3819929

**CYPRUS**

**Andros CHARALAMBOUS**  
 Gerasia LTD  
 1518 Nicosia  
 P.O. Box 2167  
 Tel. +357 2 766331  
 Fax +357 2 765947  
 gerasia@cytanet.com.cy

**POLAND**

**Inox - Robert WRÓBLEWSKI**  
 Warszawa  
 Tel.: +48 603 093 881  
 Fax: +48 22 465 96 06  
 inoxrw@gmail.com

**ROMANIA - BULGARIA  
 SLOVENIA - CROATIA  
 MACEDONIA - MONTENEGRO  
 BOSNIA AND HERZEGOVINA  
 SERBIA - MOLDOVA**

**Dejan UGRINIC**  
 Hrvatska - 10431 Sveta  
 Nedjelja  
 Novaki, Rakitska cesta 25  
 Tel. +385 (0) 1 3386-005  
 Fax +385 (0) 1 3386-007  
 Mobile + 385 (0) 98 282-405  
 ugrineks@zg.t-com.hr  
 www.ugrineks.hr

**CZECH & SLOVAKIA REPUBLIC**

**MT Trading s.r.o. - Samuele PEDRIALI**  
 Přerovská 54 - 783 71 Olomouc CZ  
 Mobil +420 777 006 805  
 info@mttrading.cz

**Technický poradce - Radim OBERHERR**  
 Mobil +420 777 049 805  
 www.mttrading.cz

**HUNGARY**

**Károly KALLAI**  
 2040 Budaörs, Liget u.4  
 Budapest  
 Mobile +36 30 350 0322  
 Fax +36 23 423 786  
 k.kallai@t-online.hu

**LEBANON - SYRIA - TUNISIA  
 MOROCCO - ALGERIA**

**Expand Market Development S.A.R.L.**  
**Abdo A. ABDO - Maroun J. NAJJAR**  
 Mansourieh Old Road, Abdo Bldg.  
 P.O. Box. 179 Mansourieh El - Metn Lebanon  
 Mobile: + 961 3 887217 + 961 3 727427  
 Telefax: + 961 4 401897  
 expand@terra.net.lb

**GREECE**

**B. Giannopoulos & Co O.E.**  
 P.O. Box 74202  
 166 02 Varkiza  
 Tel. +30 210 9654006  
 Fax +30 210 9654666  
 info@bgiannopoulos.gr

**GCC COUNTRIES**

**RIO L.L.C. Electro Mechanical**  
**Abdullah A. Zeneeh**  
 Tel.: +971 4 2610202  
 Fax: +971 4 2610203  
 aazeneeh@riouae.com

**RM Pressfitting GmbH - Technische  
 Beratung Für Pressfittingsysteme**

**DEUTSCHLAND**

**Swen MÄHNERT (techn. Leiter)**  
 Auwiesen 8  
 69254 Malsch  
 Tel. +49-(0)7253 9872743  
 Fax +49-(0)7253 278462  
 Mobil. +49-(0)151 52483379  
 s.maehmert@racmet.de

**DEUTSCHLAND**

**Mike ROCKMANN**  
 Olbrichtstraße 10a  
 04157 Leipzig  
 Tel. +49-(0)-341 9095928  
 Fax +49-(0)-341 9095928  
 Mobil. +49-(0)-151 24069608  
 m.rockmann@racmet.de

**DEUTSCHLAND**

**Sebastian FASSOLD**  
 Enßerweg 1a  
 90530 Wendelstein  
 Tel. +49-(0)9129 2965620  
 Fax +49-(0)9129 2965621  
 Mobil. +49-(0)1522 199 7175  
 s.fassold@racmet.de

**DEUTSCHLAND**

**Stephan SCHAPER**  
 Kirchheider St. 28  
 32108 Bad Salzuffen  
 Tel.: +49-(0)-5222-79 49 531  
 Fax: +49-(0)-5222-79 48 820  
 Mobil: +49-(0)-170 7216127  
 s.schaper@racmet.de



