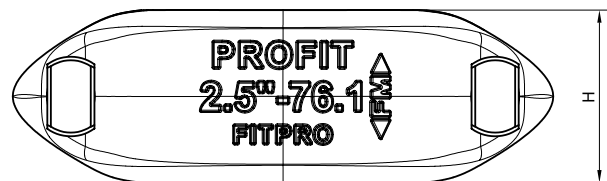
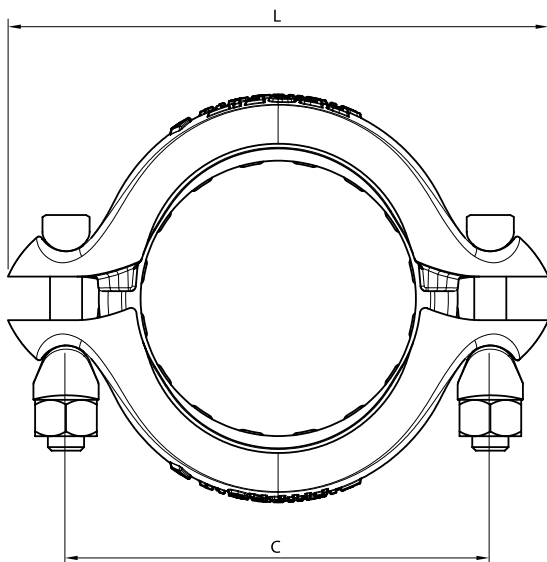




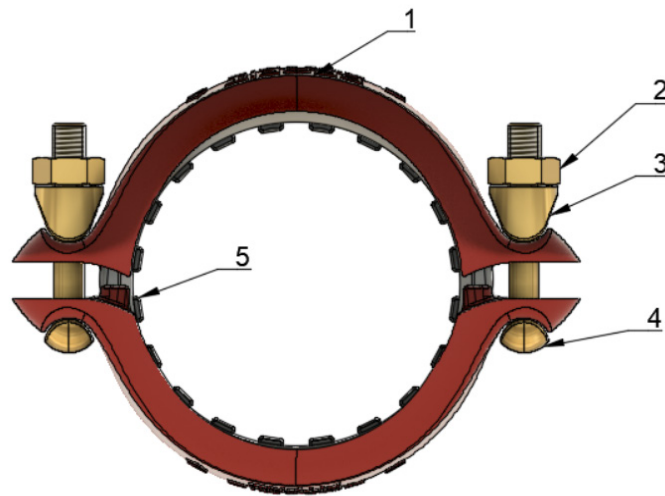
Fitpro® is a coupling designed to make fast rigid connections in both dry and wet sprinkler piping systems. It is used with grooved piping only and it is ready for installation.

Reference		Nominal size		Pipe Ø O.D.	Coupling dimensions			Bolt size	Socket size	Torque	Weight
Red	Galva	NPS inch	DN mm	mm	L mm	H mm	C mm	metric	mm	Nm	kg
FitproR1¼	FitproG1¼	1¼"	32	42,4	114	46	82	M10	17	40-50	0,64
FitproR1½	FitproG1½	1½"	40	48,3	120	46	88	M10	17	40-50	0,72
FitproR2	FitproG2	2"	50	60,3	133	47	101	M10	17	40-50	0,80
FitproR2½	FitproG2½	2½"	65	76,1	149	47	117	M10	17	40-50	0,95
FitproR3	FitproG3	3"	80	88,9	162	47	130	M10	17	40-50	1,07
FitproR4	FitproG4	4"	100	114,3	201	51	161	M12	22	100-110	1,74



General notes:

- For one time field test only, the maximum joint working pressure may be increased 150% the figure shown.
- Warning: Piping systems must always be depressurized and drained before attempting disassembly and/or removal of any components.
- Profit reserves the right to change specifications, designs and/or standard equipment without notice and without incurring in any obligations.
- Profit red coated products are intended for piping with indoor application (EN 12944-2 corrosivity category C1 & C2). For outdoor installations near the sea (corrosivity category C3) we advise the use of our hot dip galvanized couplings and fittings. For application in corrosivity category C4 (higher salinity climate) or higher, please contact info@pipinglogistics.eu.
- We advise to always store our products in closed and dry environments.
- Independent technical datasheet are available for bolts, nuts and rubber gaskets.



Working pressure

300 PSI/2070 kPa¹

Material specifications

- 1 - **Fitpro® coupling housing (2x)**: ductile iron conforming to EN-GJS-450-10 (ASTM A 536 65 45 12)
Standard coatings are:
 - Red (RAL 3000) painted EPD epoxy paint (type FitproR)
 - Hot dip galvanized (type FitproG)
- 2 - **Heavy hex nut (2x)**: carbon steel heavy hexagon nut Grade 9, conforming to ISO 898-1
Standard coating is: yellow Zinc electroplated conforming to ISO 4042
- 3 - **R-spacer (2x)**
Semi-spherical spacer: ductile iron conforming to EN-GJS-450-10 (ASTM A 536 65 45 12) or carbon steel with comparable physical properties.
Standard coating is: yellow Zinc electroplated conforming to ISO 4042
- 4 - **T-bolt (2x)**: Carbon steel heavy hexagon nut Grade 9.8, conforming to ISO 898-2
Standard coating is: yellow Zinc electroplated conforming to ISO 4042
- 5 - **Fitpro® self-lubricating gasket (1x)**
Grade: EPDM-rubber², properties in accordance with ASTM D 2000.

1) For use with Sched 40/30 pipes. Please refer to table page 4 for use with other pipes.

2) Suitable for use with water and compressed air, maximum working temperature + 50 °C. For use with fluids or other working temperatures, please contact our technical R&D department.

FUNCTIONAL DATA

Red	Galva	Maximum pipe end separation ³ (mm)	Maximum end load ⁴ (N)
FitproR5/4	FitproG5/4	3,8	3049
FitproR6/4	FitproG6/4	3,8	3930
FitproR2	FitproG2	3,3	6173
FitproR21/2	FitproG21/2	3,3	9856
FitproR3	FitproG3	3,3	13128
FitproR4	FitproG4	3,8	21540

3) This value represents the maximum axial pipe movement (when pressurizing the system). To be taken into account during system layout. In practice values may vary (decrease). Depending on: actual groove dimensions, vertical or horizontal installation, and spacing applied during installation.

4) Table values are maximum total end load from external + internal forces acting on the coupling joint when using standard weight pipes.

General notes:

- The maximum pipe end separation values shown in the table are valid for rolled groove, they may be doubled for cut groove. For design and installation purposes, we recommend to reduce these values by 50% (1"-3") and by 25% (4"-10").
- For one time field test only, the maximum joint working pressure may be increased 150% the figure shown.
- Warning: Piping systems must always be depressurized and drained before attempting disassembly and/or removal of any components.
- Profit reserves the right to change specifications, designs and/or standard equipment without notice and without incurring in any obligations.
- Profit red coated products are intended for piping with indoor application (EN 12944-2 corrosivity category C1 & C2). For outdoor installations near the sea (corrosivity category C3) we advise to use our hot dip galvanized couplings and fittings. For application in corrosivity category C4 (higher salinity climate) or higher, please contact info@pipinglogistics.eu.
- We strongly advise to always store our products in closed and dry warehouses.
- Independent technical datasheet are available for bolts, nuts and rubber gaskets.

LISTINGS & APPROVALS

Pipe Brand/type	Pipe Range (DN)	FM Pressure rating
Rolled and Cut Groove Schedule 40	1-¼, 1-½, 2, 3 inch 76.1 mm	300 PSI / 2070 kPA
Rolled and Cut Groove Schedule 40	4 inch	232 PSI / 1600 kPA
Rolled Groove Schedule 10	1-¼, 1-½, 2, 3 inch 76.1 mm	300 PSI / 2070 kPA
Rolled Groove Schedule 10	4 inch	232 PSI / 1600 kPA
Rolled Groove ASME B36.10-2004 Schedule 10 Equivalent EN 10217-7	1-¼, 1-½, 2, 3 inch 76.1 mm	300 PSI / 2070 kPA
Rolled Groove ASME B36.10-2004 Schedule 10 Equivalent EN 10217-7	4 inch	232 PSI / 1600 kPA
Rolled Groove Schedule 5	1-¼, 1-½, 2 inch	175 PSI / 1205 kPA
Rolled Groove ISO 4200 Thickness D	4 inch	232 PSI / 1600 kPA
Rolled Groove ISO 4200 Thickness E	1-¼, 1-½, 2, 3 inch 76.1 mm	300 PSI / 2070 kPA
Rolled Groove ISO 4200 Thickness E	4 inch	232 PSI / 1600 kPA
Rolled and Cut Groove ISO 4200 Thickness F	1-¼, 2, 3 inch	300 PSI / 2070 kPA
Rolled and Cut Groove ISO 4200 Thickness F	4 inch	232 PSI / 1600 kPA
Rolled Groove ISO 4200 Thickness F	1-½ inch 76.1 mm	300 PSI / 2070 kPA
Rolled and Cut Groove ISO 4200 Thickness G	1-¼, 1-½, 2, 3 inch 76.1 mm	300 PSI / 2070 kPA
Rolled and Cut Groove ISO 4200 Thickness G	4 inch	232 PSI / 1600 kPA
Rolled Groove DIN 2448	1-¼, 1-½, 2, 3 inch 76.1 mm	300 PSI / 2070 kPA
Rolled Groove DIN 2448	4 inch	232 PSI / 1600 kPA
Rolled Groove DIN 2458 / EN 10220	1-¼, 1-½, 2, 3 inch 76.1 mm	300 PSI / 2070 kPA
Rolled Groove DIN 2458 / EN 10220	4 inch	232 PSI / 1600 kPA

General notes:

- For one time field test only, the maximum joint working pressure may be increased 150% the figure shown.
- Warning: Piping systems must always be depressurized and drained before attempting disassembly and/or removal of any components.
- Profit reserves the right to change specifications, designs and/or standard equipment without notice and without incurring in any obligations.
- Profit red coated products are intended for piping with indoor application (EN 12944-2 corrosivity category C1 & C2). For outdoor installations near the sea (corrosivity category C3) we advise to use our hot dip galvanized couplings and fittings. For application in corrosivity category C4 (higher salinity climate) or higher, please contact info@pipinglogistics.eu.
- We strongly advise to always store our products in closed and dry warehouses.
- Independent technical datasheet are available for bolts, nuts and rubber gaskets.

LISTINGS & APPROVALS

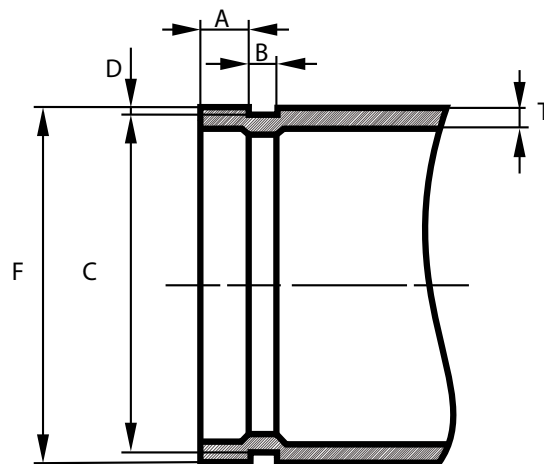
Pipe Brand/type	Pipe Range (DN)	FM Pressure rating
Sprinkler Nordic AB Nordic Flow	1-¼, 1-½, 2, 3, 4 inch 76.1 mm	232 PSI / 1600 kPA
Wuppermann Austria GmbH WLight7	1-¼, 1-½, 2, 3, 4 inch 76.1 mm	175 PSI / 1205 kPA
Wuppermann Austria GmbH WGALWELD7	1-¼, 1-½, 2, 3, 4 inch 76.1 mm	175 PSI / 1205 kPA
Wuppermann Austria GmbH WGALWELD7E	1-¼, 1-½, 2, 3, 4 inch 76.1 mm	175 PSI / 1205 kPA
Wuppermann Austria GmbH WFlow5	1-¼, 1-½, 2 inch	175 PSI / 1205 kPA
Wuppermann Austria GmbH WGALWELD5	1-¼, 1-½, 2 inch	175 PSI / 1205 kPA
Wuppermann Austria GmbH WGALWELD5E	1-¼, 1-½, 2 inch	175 PSI / 1205 kPA
Borusan Mannesmann Easy Flow	1-¼, 1-½, 2, 3, 4 inch 76.1 mm	175 PSI / 1205 kPA
Borusan Mannesmann Easy Flow	4 inch	232 PSI / 1600 kPA

General notes:

- For one time field test only, the maximum joint working pressure may be increased 150% the figure shown.
- Warning: Piping systems must always be depressurized and drained before attempting disassembly and/or removal of any components.
- Profit reserves the right to change specifications, designs and/or standard equipment without notice and without incurring in any obligations.
- Profit red coated products are intended for piping with indoor application (EN 12944-2 corrosivity category C1 & C2). For outdoor installations near the sea (corrosivity category C3) we advise to use our hot dip galvanized couplings and fittings. For application in corrosivity category C4 (higher salinity climate) or higher, please contact info@pipinglogistics.eu.
- We strongly advise to always store our products in closed and dry warehouses.
- Independent technical datasheet are available for bolts, nuts and rubber gaskets.

ROLLED GROOVE DIMENSIONS ACC. TO AWWA C606

Nominal pipe size		Outside diameter			Gasket seat A	Groove width B	Groove diameter C		Groove depth* D	Maximum outspread F
NPS (DN)	Size mm	+ mm	- mm	Tolerance +0,4 / -0,8 mm	Tolerance +0,8 / -0,4 mm	Size	Tolerance mm	mm	mm	
1¼	32	42,4	0,50	0,60	15,9	7,1	39,0	+0/-0,4	1,6	43,3
1½	40	48,3	0,44	0,52	15,9	7,1	45,1	+0/-0,4	1,6	49,4
2	50	60,3	0,61	0,61	15,9	8,7	57,2	+0/-0,4	1,6	62,2
2½	65	76,1	0,76	0,76	15,9	8,7	72,3	+0/-0,4	2,0	77,7
3	80	88,9	0,89	0,79	15,9	8,7	84,9	+0/-0,4	2,0	90,6
4	100	114,3	1,14	0,79	15,9	8,7	110,1	+0/-0,5	2,2	116,2



For installations within Europe (EC) please note that the minimum pipe thickness in fire sprinkler piping should be according to standard EN 12845.