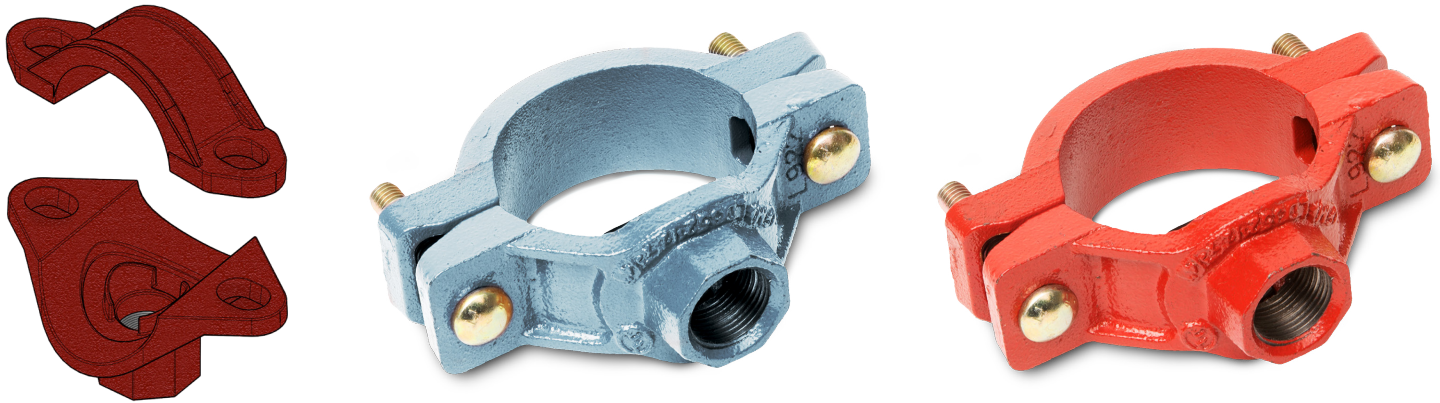
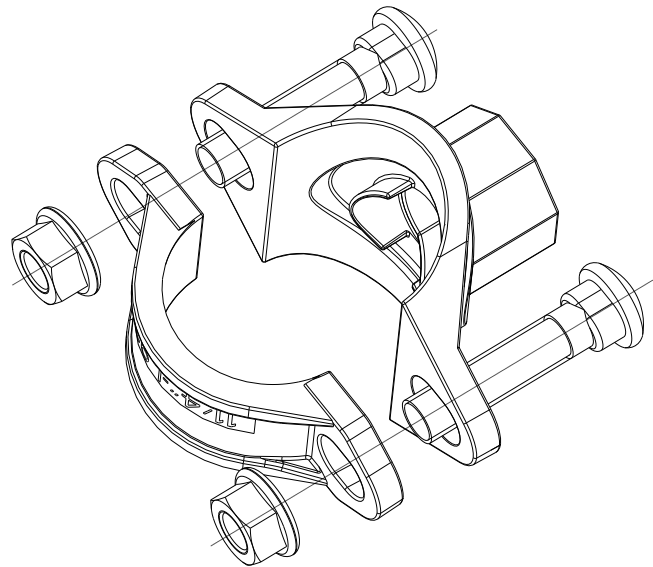
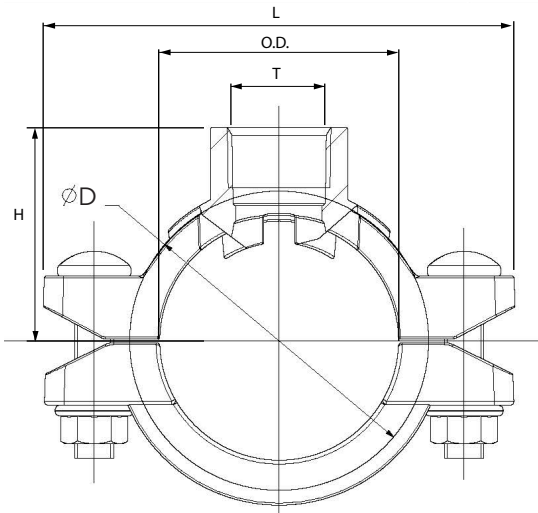


THREADED BSPT OUTLET



Sprinkler tees are designed for direct connections of sprinkler heads. Thanks to the pipe-shaped casting collar and outlet shape, this design is easy to install.



Material specifications

Housing: ductile iron conform to ASTM A536 GR65-45-12

Coating:

- Hot dip galvanized
- Red paint coating RAL 3000, EPD Epoxy coating

Rubber gaskets: EPDM gaskets dispose of the international certifications and have undergone the aging test at 110°C/230°F during a period of 45 days/1080 hours and the frozen test at -40°C/-40°F during a period of 4 days/96 hours

Bolts and nuts: see technical datasheet bolts and nuts

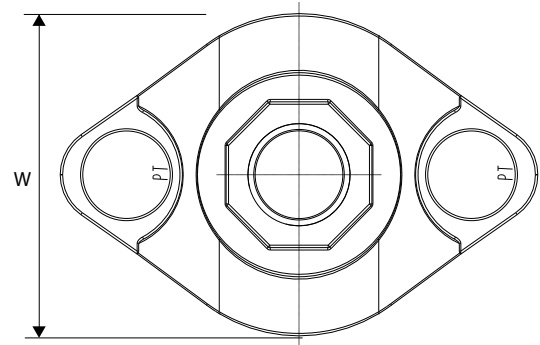
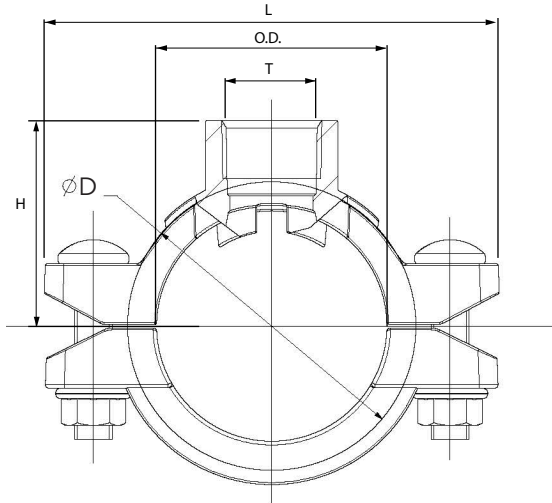
Working pressure

300 PSI/2068 kPa

General notes:

- Pressure ratings listed are CWP (cold working pressure) or MWP (maximum working pressure) at a maximum service temperature of 50°C. This rating may occasionally differ from maximum working pressure listed and/or approved by UL and/or FM, as testing conditions and test pipes can differ. For more information, please contact info@profitings.eu.
- Maximum working pressure listed is total of internal and external pressures based on standard weight (ANSI) steel pipe and standard roll or cut groove in accordance with Profit specifications. For more information, please contact info@profitings.eu.
- For one time field test only, the maximum joint working pressure may be increased by 150% the figure shown.
- Warning: Piping systems must always be depressurized and drained before attempting disassembly and/or removal of any components.
- Profit reserves the right to change specifications, designs and/or standard equipment without notice and without incurring in any obligations.
- Profit red coated products are intended for piping with indoor application (EN 12944-2 corrosivity category C1 & C2). For outdoor installations near the sea (corrosivity category C3) we advise the use of our hot dip galvanized couplings and fittings. For application in corrosivity category C4 (higher salinity climate) or higher, please contact info@profitings.eu.
- We advise to always store our products in closed and dry environments.
- Mechanical cross not FM and UL certified.

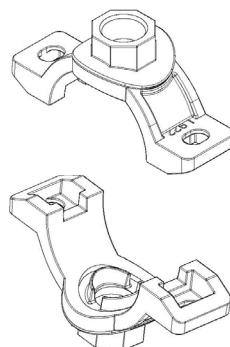
FULL CASTING SPRINKLER TEE GSTFC



Reference		Nominal size Run - reducing size		Pipe Ø O.D. - T	Full casting sprinkler tee dimensions				Hole cut*	Bolt size	Socket wrench	Bolt torque	Weight	Marking
Red	Galva	NPS inch	DN mm	mm	L mm	H mm	W mm	Ø D mm	mm	d1xL mm	mm	Nm	kg	
GSTFCR	GSTFCG	1-½	25-15	33,7 - ½	93	26,5	47	47	24+1	M10x40	15	44-54	0,28	L922 ¹⁾
GSTFCR	GSTFCG	1¼-½	32-15	42,4 - ½	98	42,5	65	52	30+1	M10x40	15	44-54	0,42	L922
GSTFCR	GSTFCG	1¼-¾	32-20	42,4 - ¾	98	42,5	65	52	30+1	M10x40	15	44-54	0,46	L922
GSTFCR	GSTFCG	1¼-1	32-25	42,4 - 1	98	51,5	65	52	30+1	M10x40	15	44-54	0,50	L922
GSTFCR	GSTFCG	1½-½	40-15	48,3 - ½	105,6	46,5	65	57,5	30+1	M10x40	15	44-54	0,44	L922
GSTFCR	GSTFCG	1½-¾	40-20	48,3 - ¾	105,6	46,5	65	57,5	30+1	M10x40	15	44-54	0,44	L922
GSTFCR	GSTFCG	1½-1	40-25	48,3 - 1	105,6	54,5	65	57,5	30+1	M10x40	15	44-54	0,52	L922
GSTFCR	GSTFCG	2-½	50-15	60,3 - ½	120	52	56	76	30+1	M10x60	15	44-54	0,64	L922
GSTFCR	GSTFCG	2-¾	50-20	60,3 - ¾	120	52	56	76	30+1	M10x60	15	44-54	0,68	L922
GSTFCR	GSTFCG	2-1	50-25	60,3 - 1	120	52	64	85	38+1	M10x60	15	44-54	0,72	L922
GSTFCR	GSTFCG	2½-½	65-15	73,0 - ½	143	62	65	86	30+1	M10x60	15	44-54	0,71	L922
GSTFCR	GSTFCG	2½-¾	65-20	73,0 - ¾	143	62	65	86	30+1	M10x60	15	44-54	0,73	L922
GSTFCR	GSTFCG	2½-1	65-25	73,0 - 1	143	70	65	86	30+1	M10x40	15	44-54	0,88	L922
GSTFCR	GSTFCG	2½-½	65-15	76,1 - ½	139	59	56	93	30+1	M10x40	15	44-54	0,76	L922
GSTFCR	GSTFCG	2½-¾	65-20	76,1 - ¾	139	59	56	93	30+1	M10x40	15	44-54	0,79	L922
GSTFCR	GSTFCG	2½-1	65-25	76,1 - 1	139	60	64	99	38+1	M10x60	15	44-54	0,88	L922

TYVEK LABEL EXAMPLE

Full casting sprinkler tee GSTFC		
1¼-½	1½-1	
1¼-¾	2-½	
1¼-1	2-¾	
1½-½	2½-½	
1½-¾	2½-¾	
Hole cut dimension 30(+1mm)		



- * Please note that the **correct hole cut dimension** is mentioned:
- on the Tyvek label which is attached to the product itself
 - on the document called 'Hole cut dimensions', which is added to each delivery from our warehouse Profit Europe, Belgium. This document is attached to the outside of the first box in a plastic pouch with reference 'Documents enclosed'

Mechanical cross** conversion				
	Main pipe diameter		Maximum outlet mechanical cross	
Inch	DN mm	O.D. mm	DN mm	Thread size T
2	50	60,3	25	1"

General notes:

- ¹⁾ No FM- and UL-approval.
- Pressure ratings listed are CWP (cold working pressure) or MWP (maximum working pressure) at a maximum service temperature of 50°C. This rating may occasionally differ from maximum working pressure listed and/or approved by UL and/or FM, as testing conditions and test pipes can differ. For more information, please contact info@profitings.eu.
- Maximum working pressure listed is total of internal and external pressures based on standard weight (ANSI) steel pipe and standard roll or cut groove in accordance with Profit specifications. For more information, please contact info@profitings.eu.
- For one time field test only, the maximum joint working pressure may be increased by 150% the figure shown.
- Warning: Piping systems must always be depressurized and drained before attempting disassembly and/or removal of any components.
- Profit reserves the right to change specifications, designs and/or standard equipment without notice and without incurring in any obligations.
- Profit red coated products are intended for piping with indoor application (EN 12944-2 corrosivity category C1 & C2). For outdoor installations near the sea (corrosivity category C3) we advise the use of our hot dip galvanized couplings and fittings. For application in corrosivity category C4 (higher salinity climate) or higher, please contact info@profitings.eu.
- We advise to always store our products in closed and dry environments.
- Mechanical cross not FM and UL certified.