



GreenEx
FIRE SUPPRESSION SOLUTIONS

**GreenSol A-50
Aerosol Extinguishing
System**



Datasheet
Series
Version
Date

GreenSol A50
A-50
5.1.UL
24-11-2020



GreenSol A-50

The GreenEx A50 GreenSol Fire Extinguisher is based on the environment friendly SFE Powdered Aerosol technology, listed on the EPA Halon Alternatives SNAP list as Powdered Aerosol A, designed for total flood fire suppression applications.

The A50 model is designed to extinguish and provide inertization for type A (solid fuel), B (liquid fuel), C (gas fuel) fires and type E (electrical) fires in defined enclosures.

The extinguishing agent concentration required for each type of fire and volume to be protected is determined by the solid SFE agent content in the GreenSol unit and the number of units per system.

The extinguishing agent delivered by the GreenSol system is a powdered aerosol created "in-situ" by a chemical reaction taking place in a non-pressurized container, delivering dry powder small particles (1-5 microns) floating in inert gases.

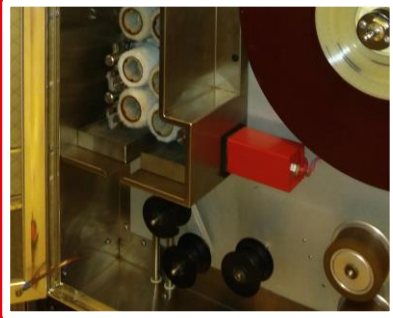
The GreenEx A50 GreenSol unit produces large amounts of powdered aerosol, designed to extinguish a fire in a 0.5 m³ closed volume.

The system is compatible with standard detection and release systems and can be installed inside or outside the protected volume.

Main features

- Powdered Aerosol Halon Replacement
- No Ozone Depletion
- No Global Warming
- Low Toxicity
- Highly Efficient - 100 gr/m³
- Approved by EPA, SNAP listing (aerosol A SFE)
- Small - Safe - Simple
- For A-B-C-E Class Total flooding Applications
- Cost Effective

GreenSol A-50



Applications

- > CNC machines
- > Computer 19" racks
- > Control rooms (false ceiling - sub floors)
- > Electrical cabinets
- > Engine & compressor rooms
- > Paint lockers
- > Server rooms
- > Telecom rooms
- > Flammable and combustible liquids storage

General Specifications

Extinguishing Volume	0.5 m3 (100 gr/m3)
Activation Mode	Electrical
Powdered Aerosol Color	white / light gray
Discharge Time	13 sec
Temperature Range	-40°C (-40°F) to +54°C (130°F)
Toxicity	None
SFE Weight	50 gr
SFE Specific Gravity	1.2 - 1.5 gr/cm3
SFE Combustion Velocity	1.1 - 1.2 mm/sec.
Fire Classes	A - B - C

Electrical Requirements

Power Supply	1.35 Amp
Ignition	Electrical match SPEX
Electrical Resistance	0.85 - 1.85 Ohm (±0.2)

Mechanical Specifications

Dimensions (WxHxL)	50 x 50 x 97 mm.
Total Weight	0.6 kg

Environment Friendly

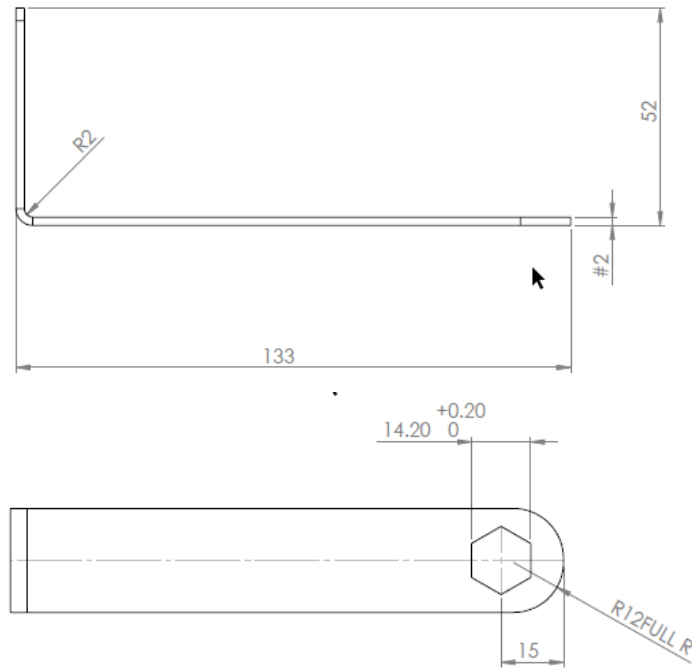
Ozone Depletion Potential	NONE
Global Warming Potential	NONE

Specifications subject to changes

For more information view manual or website www.green-ex.nl

GreenSol A-50

Bracket dimensions



Thermal Analysis A-50

Minimum safe distance for Personnel:

Discharge stream				Generator casing			
Distance, in	Distance, cm	Max. temp, °F	Max. temp, °C	Distance, in	Distance, cm	Max. temp, °F	Max. temp, °C
6	15	95	35	.25	0.6	96	35

Minimum safe distance for Combustibles:

Discharge stream				Generator casing			
Distance, in	Distance, cm	Max. temp, °F	Max. temp, °C	Distance, in	Distance, cm	Max. temp, °F	Max. temp, °C
0	0	290	143	.25	0.6	96	35

Approvals and accreditations

- > UL-2775, EX27228
- > EN-ISO-9094:2015, European Recreational Craft Directive 2013/53/EU
- > CE Marking
- > ANSI/UL 2775 Fixed Condensed Aerosol Extinguishing System Units
- > ULC/ORD C2775-12 Fixed Condensed Aerosol Extinguishing System Units
- > NFPA-2010:2015 Standard for Fixed Aerosol Fire Extinguishing Systems



Specifications subject to changes

For more information viw manual or website www.green-ex.nl